

W-S Sink Prefabricated sink

Description

W-S Sink is a prefabricated, waterproofed kitchen sink manufactured from W-S Board, with a pre-sloped base and a tileable interior, suitable for ceramic tile or microcement finishes, designed for undermount installation and compatible with a standard 90 mm outlet.

Features

- Rigid XPS foam core
- Prefabricated and waterproofed
- Ready to be finished
- Adaptable installation

Technical data

Overall dimensions:
850 × 450 × 240 mm
Internal slopes of 1.5%

Manufacturer

Estil Guru S.L.U

P.I. El Pla C/ Telers, 22 - Apdo. 584, 46870, Ontinyent,
Valencia, SPAIN | www.estilguru.com | guru@estilguru.com
Tel. 0034 96 291 45 11 | Fax. 0034 96 236 90 10



Product

| Ref. | Description | Dimensions (mm) |
|---------|-------------|-----------------|
| IM04001 | W-S Sink | 850 × 450 × 240 |

Additional information and notes

The sink is not self-supporting. For installation, a supporting structure must be provided (not included). Under no circumstances should the sink be installed directly screwed or bonded in place without a structure capable of supporting its weight.

W-S Sink Prefabricated sink

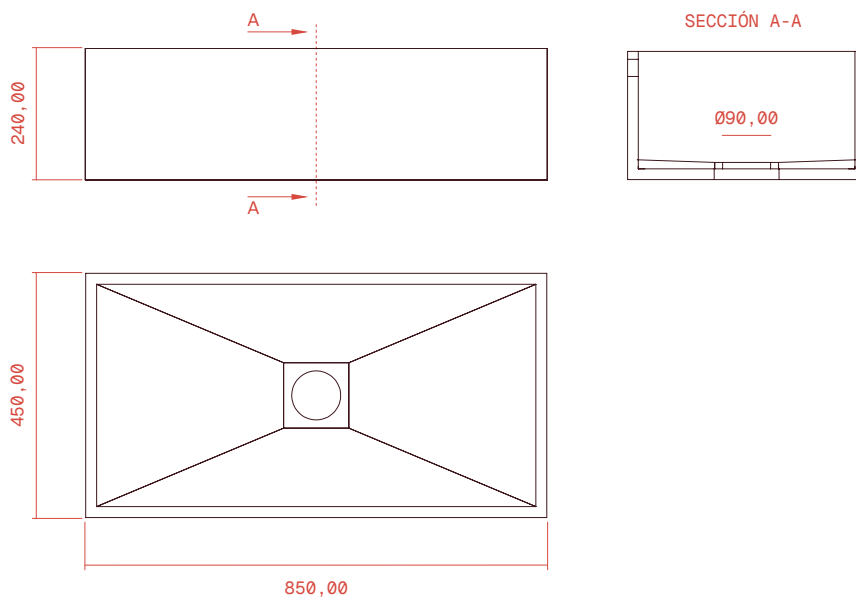
Test table

| Features | Method | Unit | Value |
|---------------------------------------|--------------|---------------------|---------|
| Nominal density | ASTMC303 | m ³ | 40 |
| Compressive strength | ASTM D1621 | kPa | 330 |
| Resistance to fungal and mould growth | PS 106 - 5.5 | - | Pasa |
| Thermal resistance (RSI value) | ASTM C518 | m ² -K/W | 0,4 |
| Reaction to fire classification | EN 13501-1 | - | C S2 d0 |

Shear strength between the tile and the W-S Board surface:

| | | | |
|--------------------------------|------------------|-------------------------|-------------|
| 7-day dry conditioning | | N/mm² | 0,82 |
| 7-day water immersion | | N/mm² | 0,57 |
| 4 weeks | ASTM C482 | N/mm² | 0,92 |
| 12 weeks | | N/mm² | 0,95 |
| 100-day water immersion | | N/mm² | 0,59 |
| Temperature resistance | - | °C | -30 / +80 |

Technical drawings (mm)



W-S Sink Prefabricated sink

Installation section

