

W-S Niche

Prefabricated shower niche

Description

Prefabricated, waterproof and tileable shower niche, designed with a 1.5% pre-sloped base that facilitates water runoff. Suitable for wet areas such as bathrooms and also suitable for installation in any other location. It incorporates an internal 25 mm shelf, adjustable in height during installation, to optimise usable space.

Features

- XPS rigid foam core
- Prefabricated and waterproofed
- Fully tileable
- Horizontal or vertical installation
- Adjustable shelf

Technical data

- Internal 25 mm shelf
- Pre-sloped base: 1.5%
- Watertight structure bonded with polyurethane
- Four sizes available

Manufacturer

Estil Guru S.L.U

P.I. El Pla C/ Telers, 22 - Apdo. 584, 46870, Ontinyent, Valencia, SPAIN | www.estilguru.com | guru@estilguru.com
Tel. 0034 96 291 45 11 | Fax. 0034 96 236 90 10



Product

Ref.	Description	Internal dimensions (cm)	External dimensions (cm)
IMU5000	W-S Niche 30	30,5 × 30,5 × 8,6	40,6 x 40,6 x 9,85
IMU5001	W-S Niche 50	50,8 × 30,5 × 8,6	60,9 x 40,6 x 9,85
IMU5002	W-S Niche 60	60,9 × 30,5 × 8,6	71,1 x 40,6 x 9,85
IMU5003	W-S Niche 70	71,1 × 30,5 × 8,6	81,3 x 40,6 x 9,85

W-S Niche Prefabricated shower niche

Test table

Features	Method	Unit	Value
Nominal density	ASTMC303	m ³	40
Compressive strength	ASTM D1621	kPa	500
Flexural strength	IAMPO Z24	-	Pass
Area impact load test	IAMPO Z24	%	>1,1
Resistance to fungus and mould growth	PS 106 - 5.5	-	Pass
Thermal resistance (RSI value)	ASTM C518	m ² ·K/W	0,4
Reaction to fire classification	EN 13501-1	-	C S2 d0

Shear bond strength between tile and W-S Board surface:

7-day dry		N/mm²	0,82
7-day water immersion		N/mm²	0,57
4 weeks	ASTM C482	N/mm²	0,92
12 weeks		N/mm²	0,95
100-day water immersion		N/mm²	0,59
Temperature resistance	-	°C	-30 / +80

Limitations / precautions

- Not suitable for exterior applications.
- Do not expose W-S NICHE to sunlight without protection for more than 30 days.
- W-S NICHE must be covered with tiles or another hard finish. If the WATER-STOP membrane of the panel is perforated during installation, repair it with W-S MASTIC sealant. Apply the sealant and spread it to cover the perforated area and 50 mm around it.
- The stud frame and horizontal blocking must be prepared in the desired position and dimensions on which the niche will be fixed.

Suitable substrates

- Drywall partition walls with profiles of minimum 90 mm width.

W-S Niche

Prefabricated shower niche

Technical drawings (mm)

Fixing:

Fix the niche directly to the studs and horizontal blocking using washers for W-S BOARD and the corresponding screws. Use screws suitable for wood studs and self-tapping screws for metal studs. The selected screws must have sufficient length to achieve an embedment depth of at least 10 mm in metal studs.

Walls:

The screws must be spaced at a maximum of 30 cm vertically and 40 cm horizontally.

Starting at the bottom of the opening where the niche will be installed, fix the W-S NICHE to the wall studs using the appropriate screw.

Align the panels over the centre of the studs.

Keep the niche firmly in contact with the framing while placing the fixings.

Shelf installation:

The supplied shelf may be installed at the desired height, dividing the internal space into two areas.

- Determine the height at which the shelf will be installed.
- Tile the sides and the back of the area that will remain below the shelf.
- Apply a bead of W-S MASTIC to the side and rear edges of the shelf and place it resting on the lower tiles.
- Complete the tiling of the shelf itself and of the rest of the W-S NICHE.

Jointing and waterproofing:

W-S NICHE is waterproof, but for a watertight installation all joints between the outer frame of W-S NICHE and the rest of the W-S BOARD must be sealed by applying W-S BAND.

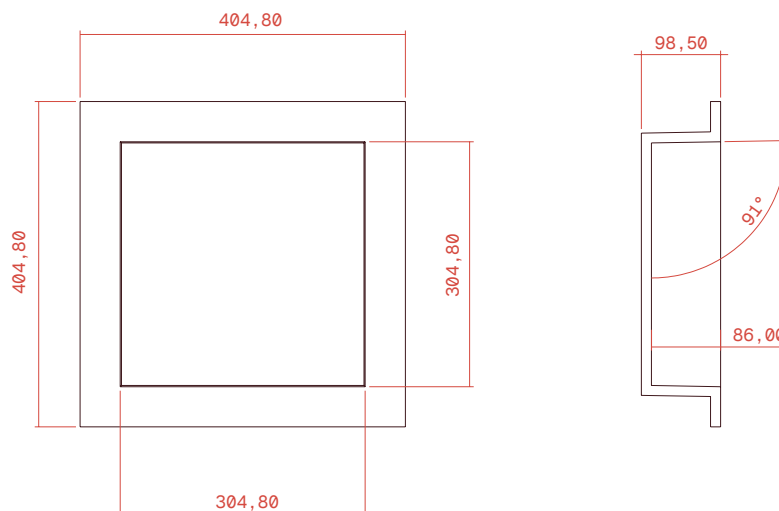
Use a C2 class tile adhesive according to EN 12004 or ISO 13007-1, applied with a 3 × 3 notched trowel.

Position the W-S BAND and press it firmly into the adhesive. Remove any trapped air and ensure full adhesion to the material by spreading the adhesive from the inside outwards using a spatula or similar tool, removing and smoothing the excess material.

Tiles may be installed immediately using a C2 class tile adhesive according to EN 12004 or ISO 13007-1. Select a notched trowel suitable for the tile format.

Technical drawings (mm)

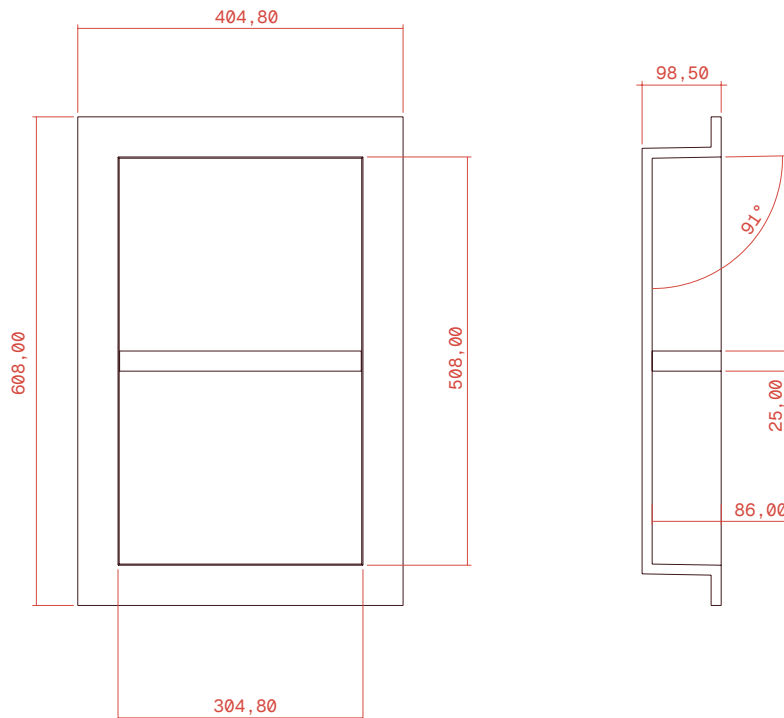
W-S Niche 30x30



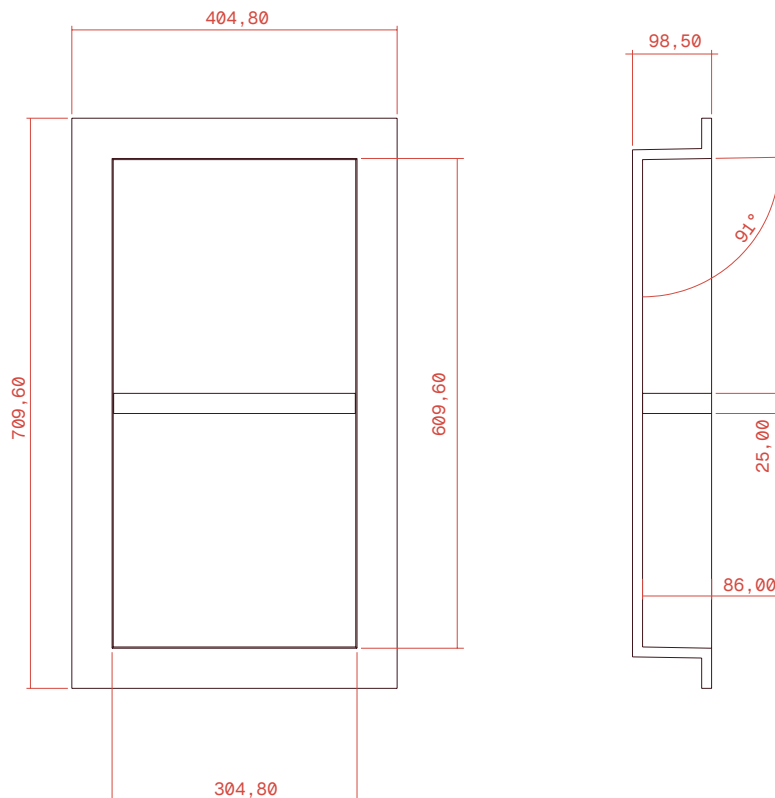
W-S Niche Prefabricated shower niche

Technical drawings (mm)

W-S Niche 30x50



W-S Niche 30x60



W-S Niche

Prefabricated shower niche

Technical drawings (mm)

W-S Niche 30x70

