

Kit Terraza Outdoor drain

PLUS

Description Siphonic drain with boiler, frame with height extension and grating. With clamping flange for attaching waterproofing membrane.

Features

- Floor drain for indoor and outdoor use.
- Can be installed in horizontal or vertical outlet, depending on model.
- Includes interchangeable hydraulic odour seal and dry flap.
- Connections must be made by means of lip seals or sliding seals, not by gluing.
- Possibility of grille height adjustment.

Manufacturer Estil Guru S.L.U

P.I. El Pla C/ Telers, 22 - Apdo. 584, 46870, Ontinyent, Valencia, ESPAÑA | www.estilguru.com | guru@estilguru.com
Tel. 0034 96 291 45 11 | Fax. 0034 96 236 90 10



Product

Ref.	Description	Output
IE46007	Kit Terraza Plus V75	Vertical DN/ 75
IE46008	Kit Terraza Plus H50	Horizontal DE/DE 50

Test table

Features	Method	Requirement	Value
Discharge rate horizontal outlet 50	1253-1 Art. 5.9	1253-1 Art. 4.8.1	> 0,8 l/s
Discharge rate vertical outlet 75	1253-1 Art. 5.9	1253-1 Art. 4.8.1	>1 l/s
Materials	-	1253-1 Art. 4.3 and 1293-1	Pass
Grille openings (dimensions)	1253-1 Art. 5.1	1253-1 Art. 4.1.3	Pass
Load resistance	1253-1 Art. 5.6	1253-1 Art. 4.7.1	Class K13

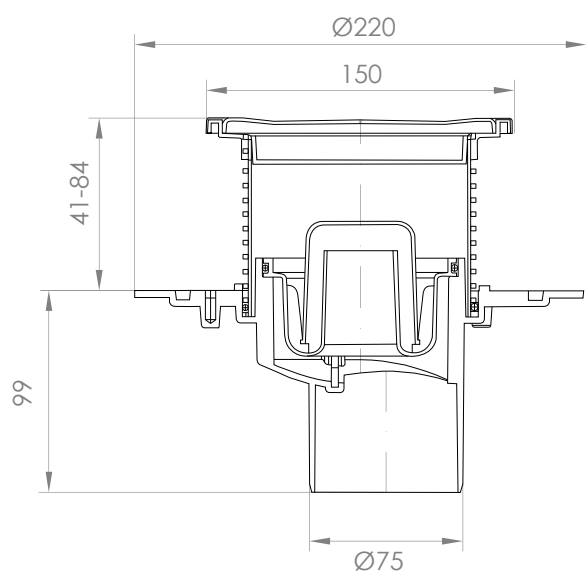
Kit Terraza Outdoor drain

Components

System components	Composition	Dimensions	Unity
Grid	Stainless steel	150 × 150	mm
Drain body		220 × 220	mm
Horizontal outlet nominal diameters	PP	DN/DE 50	mm
Vertical outlet nominal diameters		DN/DE 75	mm
Height extension		150 × 150 × 75	mm
Presser foot ring and screws	Stainless steel	200 × 200	mm

Technical drawings

VERTICAL Output



HORIZONTAL Output

