

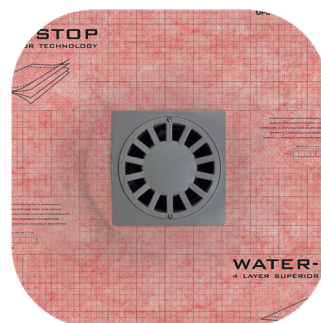
# Kit Terraza

## Outdoor drain

**Description** Siphonic floor drain with bowl and integrated waterproofing quadrant, factory-assembled using a sheet of WATER-STOP waterproof membrane.

**Features**

- Roof drain and floor drain
- Downpipe connections by adhesive bonding
- Water trap for odour control
- Can be installed with horizontal or vertical outlet depending on the model



**Manufacturer** Estil Guru S.L.U

P.I. El Pla C/ Telers, 22 - Apdo. 584, 46870, Ontinyent, Valencia, SPAIN | [www.estilguru.com](http://www.estilguru.com) | [guru@estilguru.com](mailto:guru@estilguru.com)  
Tel. 0034 96 291 45 11 | Fax. 0034 96 236 90 10

### Product

Ref.	Description	Outlet
IE46000	Kit terraza v90	Vertical dn/de 90
IE46001	Kit terraza v110	Vertical dn/de 110
IE46002	Kit terraza h90	Horizontal dn/de 90
IE46003	Kit terraza h110	Horizontal dn/de 110

### Test table

Features	Method	Exigence	Value
Discharge flow rate outlet 90	EN 1253-1 Art. 5.9	EN 1253-1 Art. 4.8.1	>0,8 l/s
Discharge flow rate outlet 110	EN 1253-1 Art. 5.9	EN 1253-1 Art. 4.8.1	>1,2 l/s
Watertightness of the membrane **	EN 1928 - B	Pressure : 0,1 MPa / 24h	Watertight
Openings in grate (dimensions)	EN 1253-1 Art. 5.1	EN 1253-1 Art. 4.1.3	Pass
Load resistance	EN 1253-1 Art. 5.6	EM 1253-1 Art. 4.7.1	Class L15
Materials	-	EN 1253-1 Art. 4.3 and 1293-1	Pass

\*\* For information on the properties of the WATER-STOP membrane, please refer to its TECHNICAL DATA SHEET.

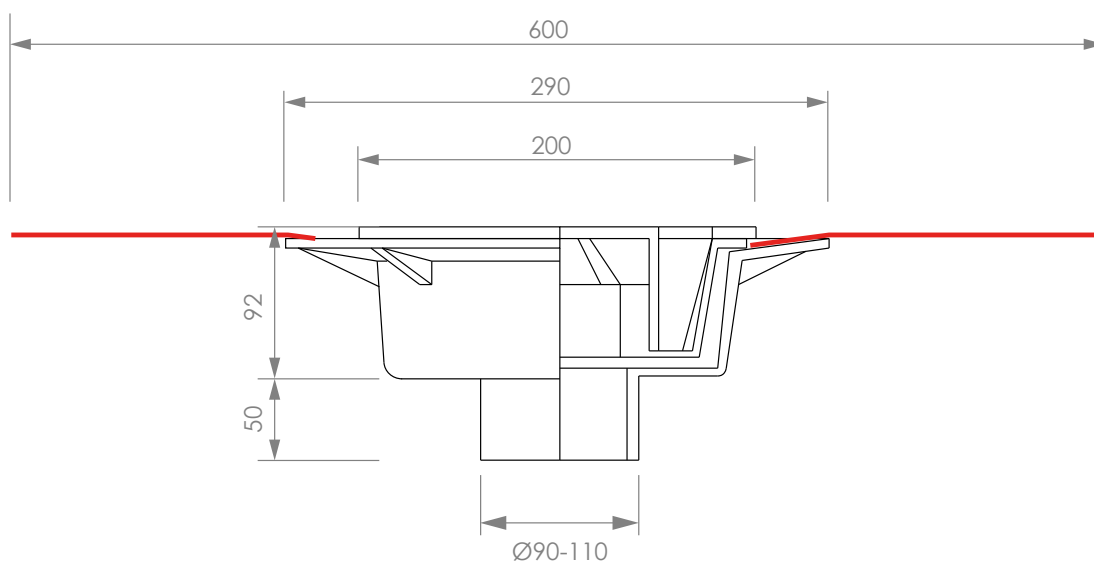
# Kit Terraza Outdoor drain

## Components

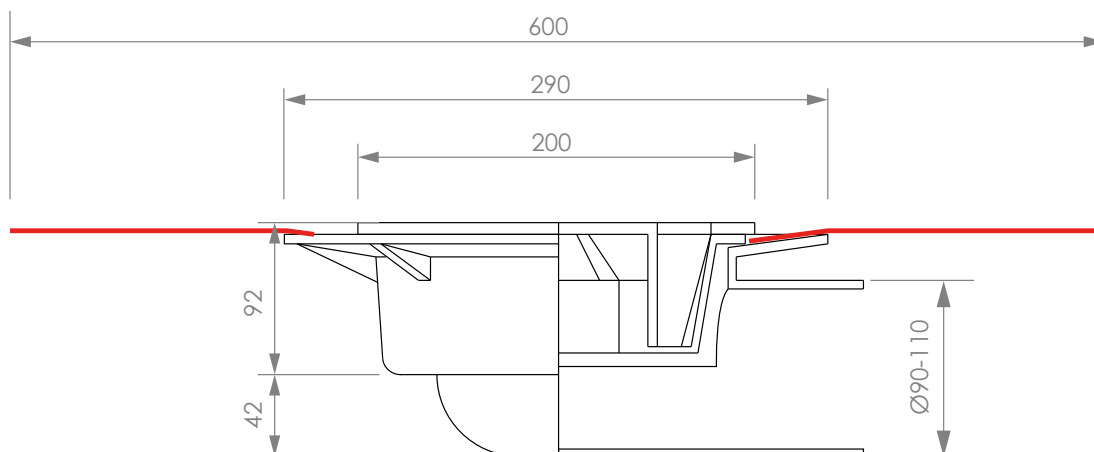
System components	Composition	Dimensions	Unit
Grate	PVC	200 × 200	mm
Drain		290 × 187	mm
Horizontal outlet nominal diameters		DN/DE 90 and DN/DE 110	mm
Vertical outlet nominal diameters		DN/DE 90 and DN/DE 110	mm
Waterproofing membrane	WATER-STOP	60 × 60	cm

## Technical drawings

### VERTICAL outlet



### HORIZONTAL outlet



The data provided are for informational purposes only and may be subject to change without prior notice. It is strongly recommended to carry out any tests deemed necessary to verify the suitability of the product for the intended use when this differs from the information given.