

W-S Basink Prefabricated washbasin

Description

Tileable and waterproofed prefabricated washbasin, suitable for different installation types: wall-hung, between three walls, in a corner, or on supports. It has a 10 cm cuttable zone that allows the tapware to be installed either on the washbasin itself or on the wall, adapting to the desired dimension.

Features

Prefabricated and waterproofed
Cuttable
Tileable
Installation adaptability
Wall-mounted or integrated tapware
Leveling system to facilitate installation

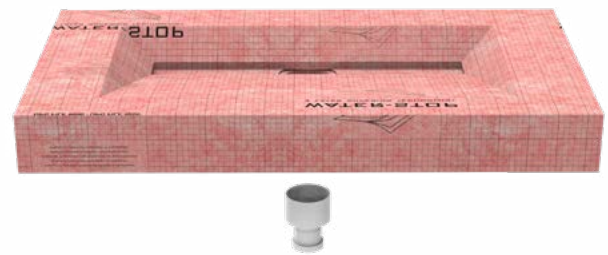
Technical data

Supports a load of 180 kg
Vertical outlet
Vertical adjustment

Manufacturer

Estil Guru S.L.U

P.I. El Pla C/ Telers, 22 - Apdo. 584, 46870, Ontinyent,
Valencia, SPAIN | www.estilguru.com | guru@estilguru.com
Tel. 0034 96 291 45 11 | Fax. 0034 96 236 90 10



Product

Ref.	Description	Dimensions (mm)
IM04000	W-S Basink	1000 × 555 × 107.5
IM04002	Customizable W-S Basink*	1000 × 555 × 107,5

* Select the channel and grate finish by separate purchase

Additional notes

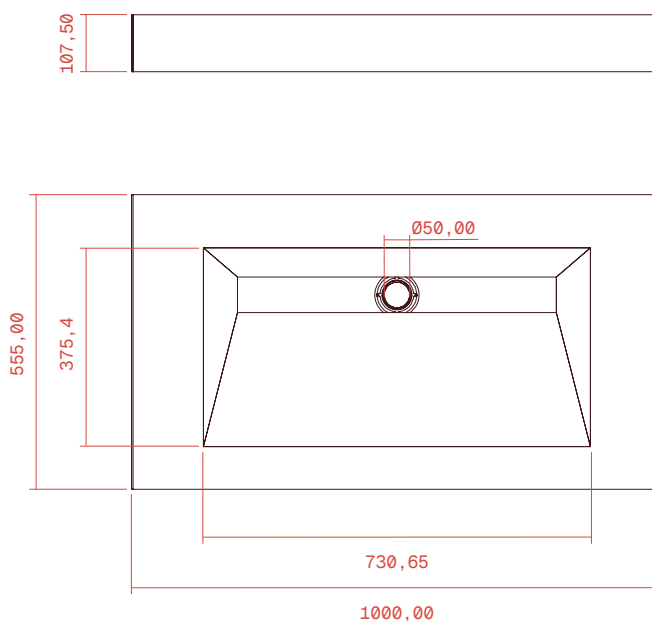
- Compatible with both standard tapware and wall-mounted tapware.
- If the tapware is wall-mounted, the rear section may be cut back by up to 10 cm; for cuts greater than 5 cm, consult the technical department.
- Can be installed wall-hung (see installation guide).
- Can be installed on a support using 5 cm W-S Board panels to create an internal structure.
- Includes two screws at the ends of the supports to level the front area (see installation guide).

W-S Basink Prefabricated washbasin

Test table

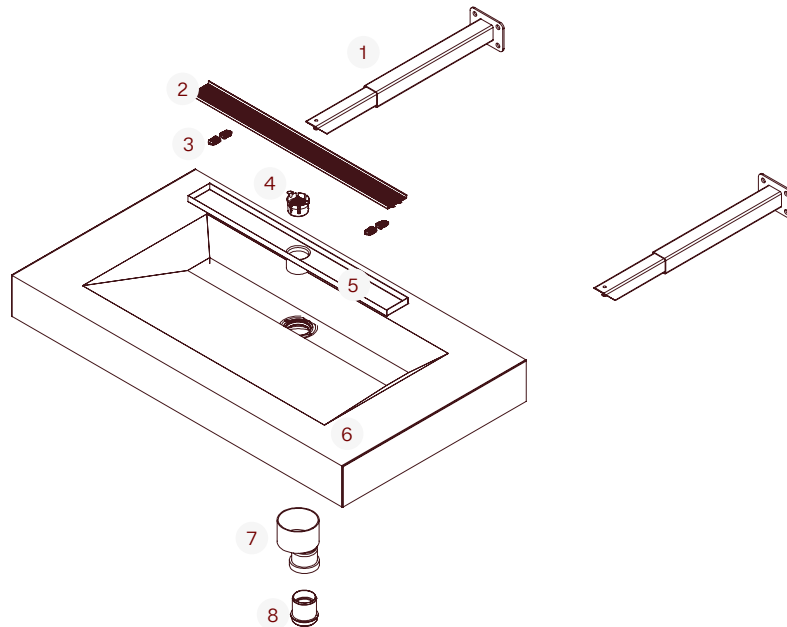
Characteristics	Method	Unit	Value
Maximum front load	-	kg	50
Load resistance	EN 1488	kg	>150
Nominal density	ASTMC303	m ³	40
Compressive strength	ASTM D1621	kPa	330
Resistance to fungi and mold growth	PS 106 - 5.5	-	Pass
Thermal resistance (RSI value)	ASTM C518	m ² ·K/W	0,4
Reaction to fire classification	EN 13501-1	-	C S2 d0
Shear bond strength between the tile and the W-S Board surface:			
7-day dry curing		N/mm²	0,82
7-day water immersion		N/mm²	0,57
4 weeks	ASTM C482	N/mm²	0,92
12 weeks		N/mm²	0,95
100-day water immersion		N/mm²	0,59
Temperature resistance	-	°C	-30 / +80

Technical drawings (mm)



W-S Basink Prefabricated washbasin

Components



Part	Description	Material
1	Extendable support	AISI 304 *1
2	Integra linear grate	Alum.
3	Rubber buffers	SBS
4	Hair strainer	ABS

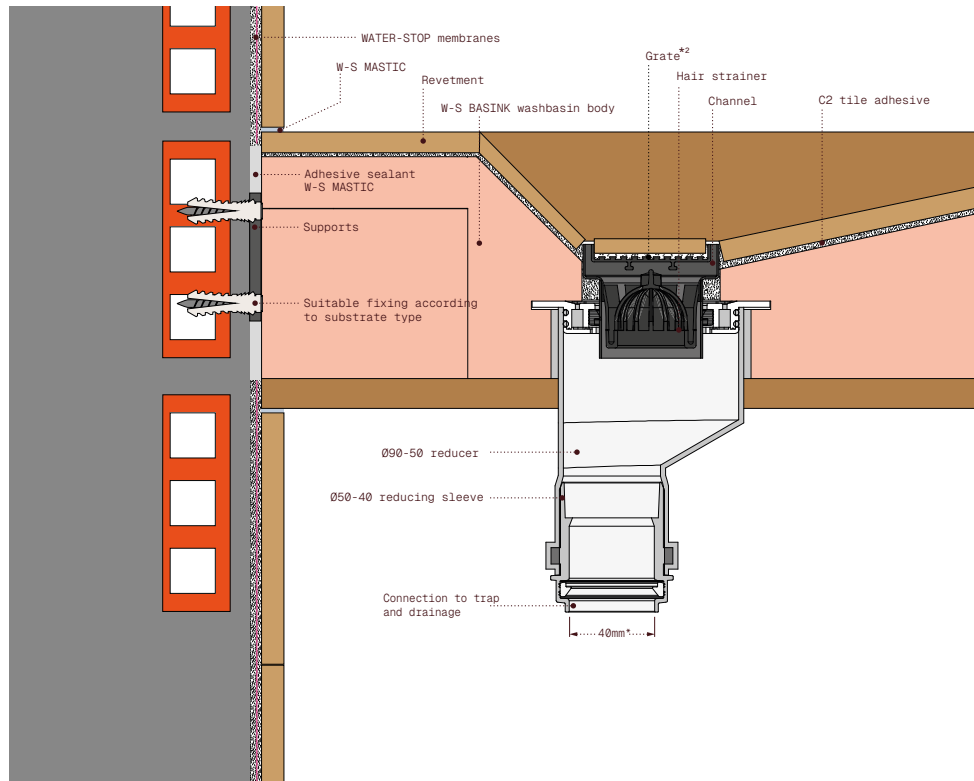
Part	Description	Material
5	Linear channel *2	AISI 304 *1
6	W-S BASINK washbasin body	XPS
7	Ø90/50 reducer	PP
8	Ø50/40 reducing sleeve	PP

*1 AISI 304 stainless steel

*2 EVOLUX Integra channel and grate included only with reference IM0400

W-S Basink Prefabricated washbasin

Installation section



* Ø40 OUTLET

The outlet can be Ø40 mm by using the reducing sleeve, or Ø50 mm by direct connection to the reducer.

*2 EVOLUX Integra channel and grate included only with reference IM0400. For reference IM04002, select the channel and grate finish by separate purchase.