

Shelf Shower Shelves

Description Shower shelf that eliminates the need for drilling during installation, protecting the walls from damage and avoiding the need for construction work. It is installed inserted in the joint between tiles in joint widths from 1 mm.

Features Easy installation in renovations and new builds
Unique aesthetic finishes
Standard: UNE67100
Drill-free installation (no risk of pipe damage or loss of waterproofing)

Technical Data Thickness: 1 mm
Manufactured in AISI 316 stainless steel - Marine Grade
PVD, textured and satin finishes

Manufacturer Estil Guru S.L.U

P.I. El Pla C/ Telers, 22 - Apdo. 584, 46870, Ontinyent, Valencia, SPAIN | www.estilguru.com | guru@estilguru.com
Tel. 0034 96 291 45 11 | Fax. 0034 96 236 90 10

Product

Evolux Shelf Triangle Plus



Ref.	Description	Color	Finish
IZU0302	Triangle Plus	● INOX	Satin
IZU0301	Triangle Plus	● DARK	Text.
IZU0314	Triangle Plus	● NICKEL	PVD
IZU0300	Triangle Plus	○ LIGHT	Text.

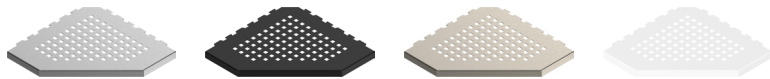
Evolux Shelf Triangle Beat



Ref.	Description	Color	Finish
IZU0004	Triangle Beat	● INOX	Satin
IZU0000	Triangle Beat	● DARK	Text.
IZU0005	Triangle Beat	● NICKEL	PVD

Shelf Shower Shelves

Evolux Shelf Trapezoid Plus



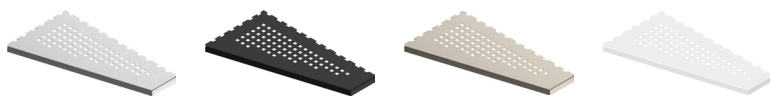
Ref.	Description	Color	Finish
IZU0305	Trapezoid Plus	● INOX	Satin
IZU0304	Trapezoid Plus	● DARK	Text.
IZU0312	Trapezoid Plus	● NICKEL	PVD
IZU0303	Trapezoid Plus	○ LIGHT	Text.

Evolux Shelf Trapezoid Beat



Ref.	Description	Color	Finish
IZU0006	Trapezoid Beat	● INOX	Satin
IZU0001	Trapezoid Beat	● DARK	Text.
IZU0007	Trapezoid Beat	● NICKEL	PVD
IZU0008	Trapezoid Beat	○ LIGHT	Text.
IZU0009	Trapezoid Beat	● GOLD	PVD

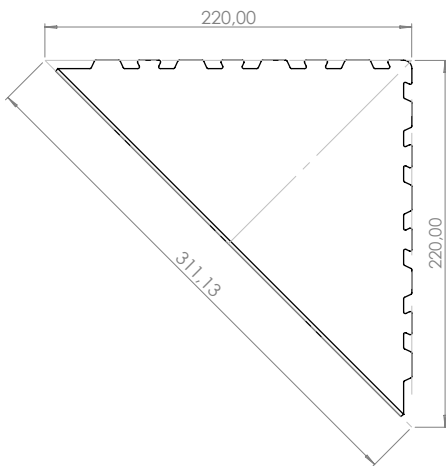
Evolux Shelf Trapezoid Asim Plus



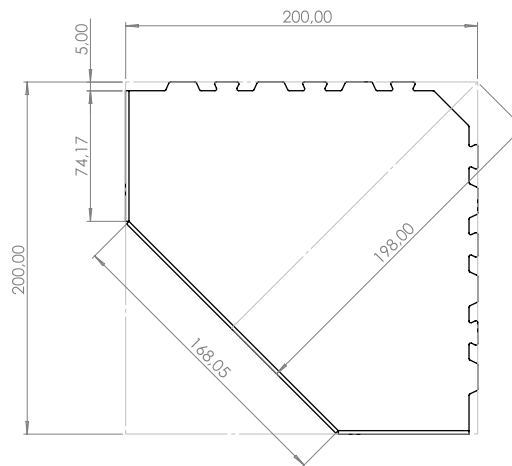
Ref.	Description	Color	Finish
IZU0308	Trapezoid Asim Plus	● INOX	Satin
IZU0307	Trapezoid Asim Plus	● DARK	Text.
IZU0313	Trapezoid Asim Plus	● NICKEL	PVD
IZU0306	Trapezoid Asim Plus	○ LIGHT	Text.

Technical Drawings

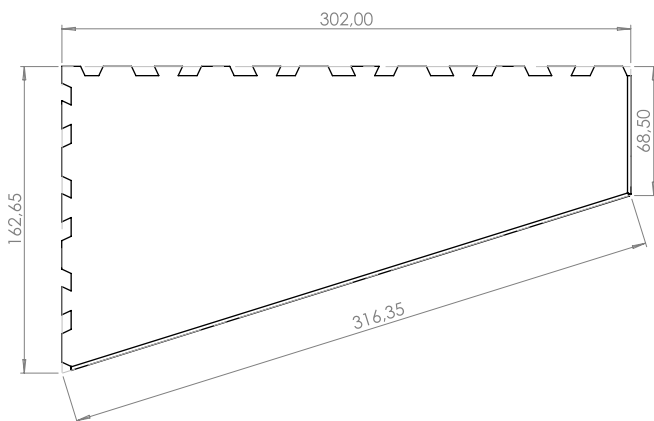
Evolux Shelf Triangle



Evolux Shelf Trapezoid



Evolux shelf Trapezoid Asim



Shelf Shower Shelves

Installation Section

