

Revolux Tryphon Complete cut-to-size shower kit

Description

Shower system with a cut-to-length grate to adapt to any shower size and shape, ideal for site-built shower trays for domestic and/or communal use. Includes integrated waterproofing factory-mounted, formed by a WATER-STOP waterproof membrane piece.

Features

Cut to required size
 2 lengths: 1 and 2 metres
 2 models and 5 finishes
 Removable trim cover
 Lower dovetail grooving for improved grip to the substrate with C2 tile adhesive
 Fast installation
 EN1253 / DIN18534 standard

Technical data

Load class K3
 Grate height: 7 mm
 6063 architectural-grade aluminium
 Anodizing: 25 microns
 Vertical grate adjustment

Manufacturer

Estil Guru S.L.U

P.I. El Pla C/ Telers, 22 - Apdo. 584, 46870, Ontinyent, Valencia, SPAIN | www.estilguru.com | guru@estilguru.com
 Tel. 0034 96 291 45 11 | Fax. 0034 96 236 90 10

Revolux Curve



Tryphon	Tryphon Reduced	Description	Finish	Size (cm)	W-S membrane
IT23004	IT23004R	Curve Chrome		100	2 x 2 · 4 m ²
IT63004	IT63004R	Curve Gold		100	2 x 2 · 4 m ²
IT83004	IT83004R	Curve Rose		100	2 x 2 · 4 m ²
IT53004	IT53004R	Curve Black		100	2 x 2 · 4 m ²
IT93004	IT93004R	Curve Nickel		100	2 x 2 · 4 m ²
IT23200	IT23200R	Curve Chrome		200	2,5 x 2 · 5 m ²
IT63200	IT63200R	Curve Gold		200	2,5 x 2 · 5 m ²
IT83200	IT83200R	Curve Rose		200	2,5 x 2 · 5 m ²
IT53200	IT53200R	Curve Black		200	2,5 x 2 · 5 m ²
IT93200	IT93200R	Curve Nickel		200	2,5 x 2 · 5 m ²

Revolux Tryphon Complete cut-to-size shower kit

Revolux Cavity



Tryphon	Tryphon Reduced	Description	Finish	Size (cm)	W-S membrane
IT24004	IT24004R	Cavity Chrome		100	2 x 2 · 4 m ²
IT64004	IT64004R	Cavity Gold		100	2 x 2 · 4 m ²
IT84004	IT84004R	Cavity Rose		100	2 x 2 · 4 m ²
IT54004	IT54004R	Cavity Black		100	2 x 2 · 4 m ²
IT94004	IT94004R	Cavity Nickel		100	2 x 2 · 4 m ²
IT24200	IT24200R	Cavity Chrome		200	2,5 x 2 · 5 m ²
IT64200	IT64200R	Cavity Gold		200	2,5 x 2 · 5 m ²
IT84200	IT84200R	Cavity Rose		200	2,5 x 2 · 5 m ²
IT54200	IT54200R	Cavity Black		200	2,5 x 2 · 5 m ²
IT94200	IT94200R	Cavity Nickel		200	2,5 x 2 · 5 m ²

Test table

Features Hydraulic trap	Method	Requirement	Unit	Value
	EN 1253-1	EN 1253-1		
Drainage flow rate	Article 5.9.1	Article 4.8	l/s	>0,5
Water seal height	Article 5.3.1	Article 4.2.2	mm	50
Water seal pressure resistance	Article 5.3.2	Article 4.1.6	Pa	>400
Self-cleaning capacity	Article 5.4.2	Article 4.2.2	-	Pass
Clogging prevention	Article 5.4.3	Article 4.2.3	-	Pass
Thermal behaviour	Article 5.5	Article 4.5	-	Class A
Watertightness	Article 5.8.2	Article 4.6.2	-	Pass
Watertightness of the extensions	Article 5.8.2	Article 4.6.3	-	Pass
Odour tightness	Article 5.8.1	Article 4.6.1	-	Pass
Watertightness of the drain used with waterproofing membrane	Article 5.8.3	Article 4.7.3.4	-	Pass
Mechanical strength of the factory-mounted flange / waterproof membrane connection	Article 5.7.3	Article 4.7.3.4	N	>100
Load resistance	Article 5.6	Article 4.7.1	-	Class K3
Openings in the grates (dimensions)	Article 5.1	Article 4.1.3	mm	<8
Appearance	-	Article 4.1.2	-	Pass
Materials	-	Article 4.4	-	Pass

Revolux Tryphon Complete cut-to-size shower kit

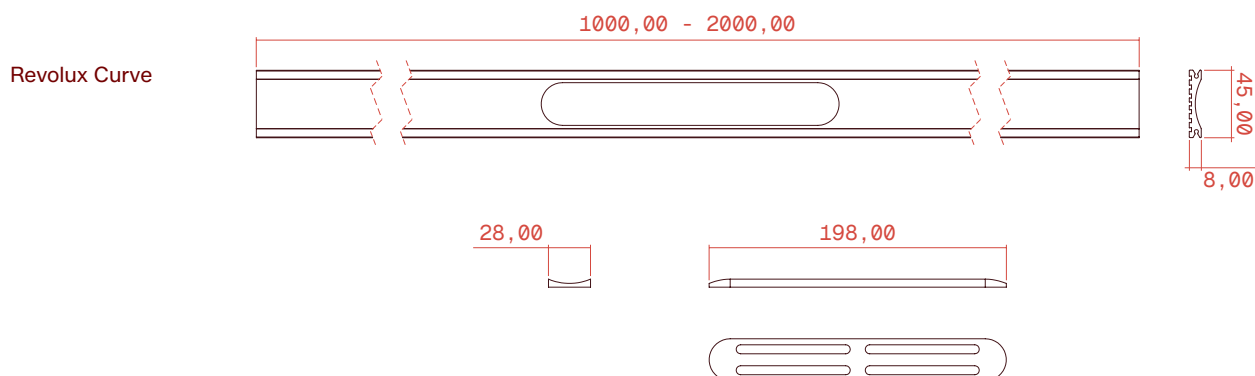
Test table

Features Dry trap	Method	Requirement	Unit	Value
	EN 1253-1	EN 1253-1		
Drainage flow rate	Article 4.11.2	Article 4.11.1	N	>0,8
Closure resistance	Article 4.4.2	Article 4.4.1	-	Pass
Clogging prevention	Article 4.5.1.3	Article 4.5.1.2	mm	Pass
Thermal behaviour	Article 4.8.3	Article 4.8.2	-	Class A
Watertightness	Article 4.9.2.2	Article 4.9.2.1	-	Pass
Odour tightness	Article 4.9.1.2	Article 4.9.1.1		Pass

Features

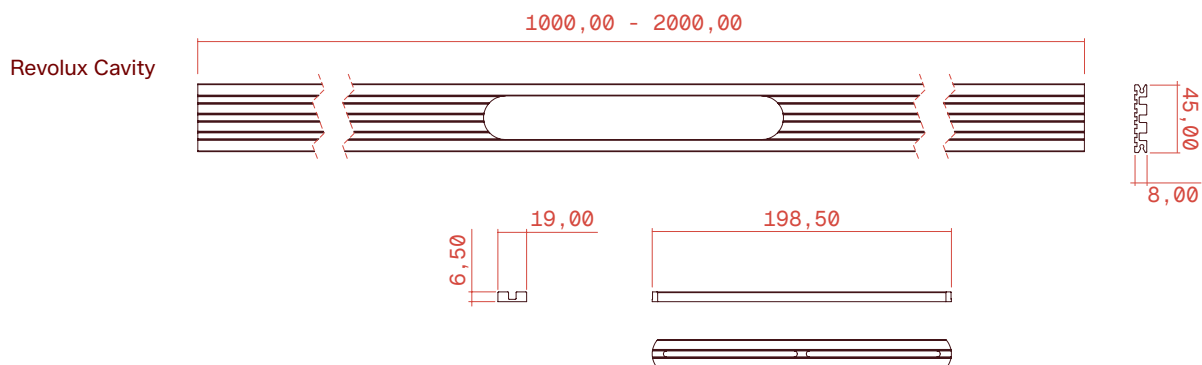
- Cut-to-length grate adjustable to the shower width.
- Secondary drainage.
- Models available with horizontal or vertical Ø50 M outlet for solvent welding.
- Reduced-height model with horizontal Ø40 M outlet for solvent welding.
- Installation heights:
 - Model with horizontal Ø50 outlet: 88 mm
 - Model with horizontal Ø40 outlet: 70 mm
 - Model with vertical Ø50 outlet: 83 mm

Technical drawings (mm)

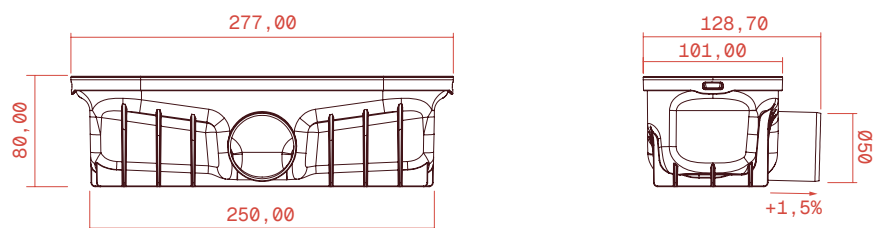


Revolux Tryphon Complete cut-to-size shower kit

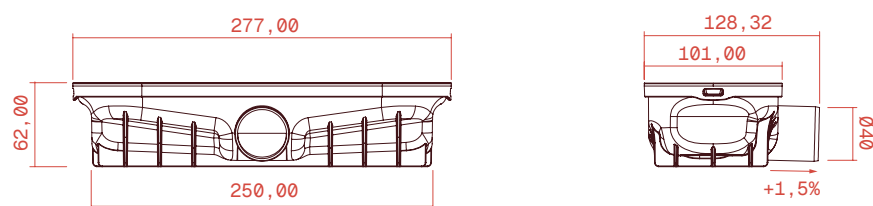
Technical drawings (mm)



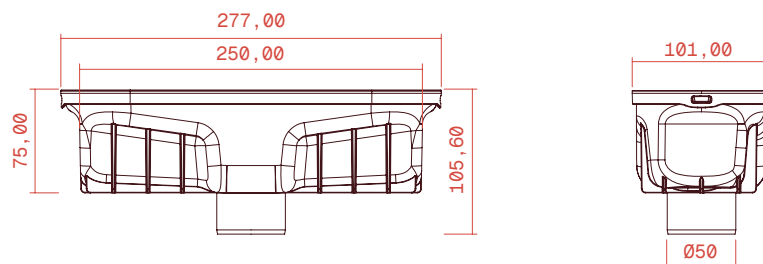
Tryphon



Tryphon Reduced

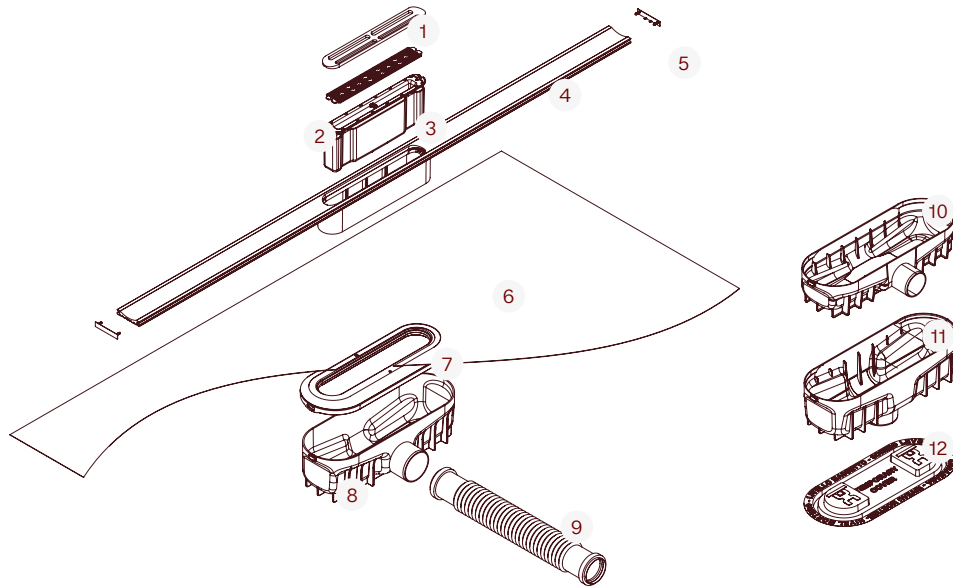


Tryphon Vertical



Revolux Tryphon Complete cut-to-size shower kit

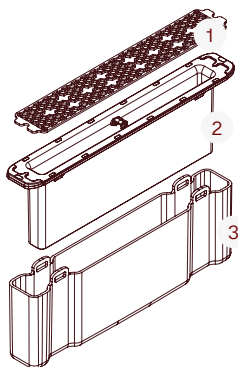
Components



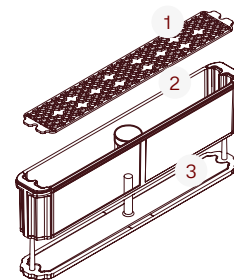
Part	Description	Material
1	Trim cover (depending on model)	Alum.
2	Hair strainer	PP
3	Trap *1	ABS/TPU
4	Revolux grate (depending on model)	Alum.
5	Side cap	PP
6	WATER-STOP EVAC membrane	EVAC

Part	Description	Material
7	Adapter	ABS
8	Tryphon drain	ABS
9	Flexible sleeve*2	PVC
10	Tryphon Reduced drain*3	ABS
11	Tryphon Vertical drain*4	ABS
12	Protective cover	PVC

*1 Two types of trap: hydraulic or dry | *2 Flexible sleeve Ø50 included in the Tryphon kit and flexible sleeve Ø40 included in the reduced Tryphon kit | *3 Included only in the reduced kits | *4 Complementary accessory (IG60032).



Part	Description	Material
1	Hair strainer	PP
2	Cover (hydraulic trap)	ABS/TPU
3	Cup (hydraulic trap)	ABS

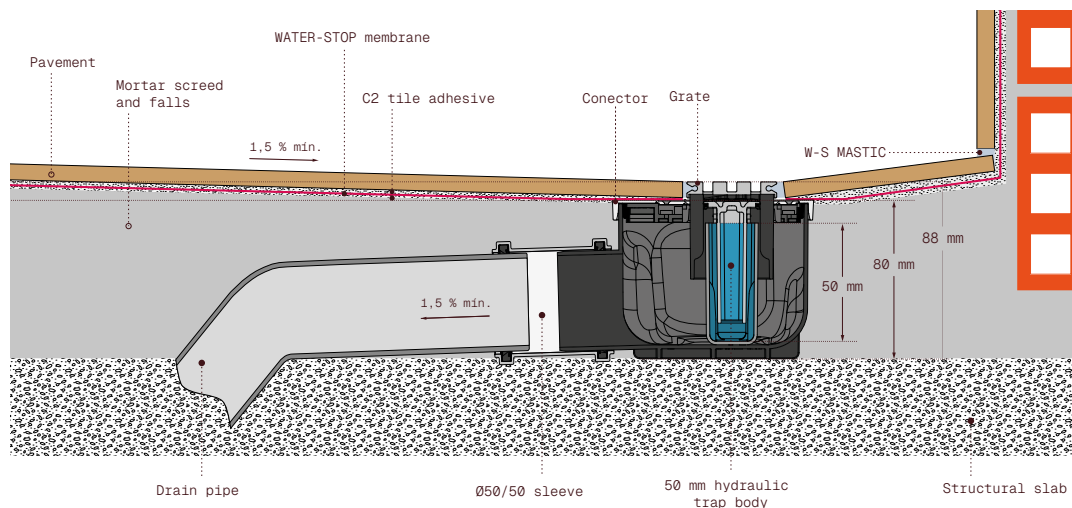


Part	Description	Material
1	Hair strainer	PP
2	Body (mechanical trap)	ABS/TPU
3	Cover (mechanical trap)	PA6

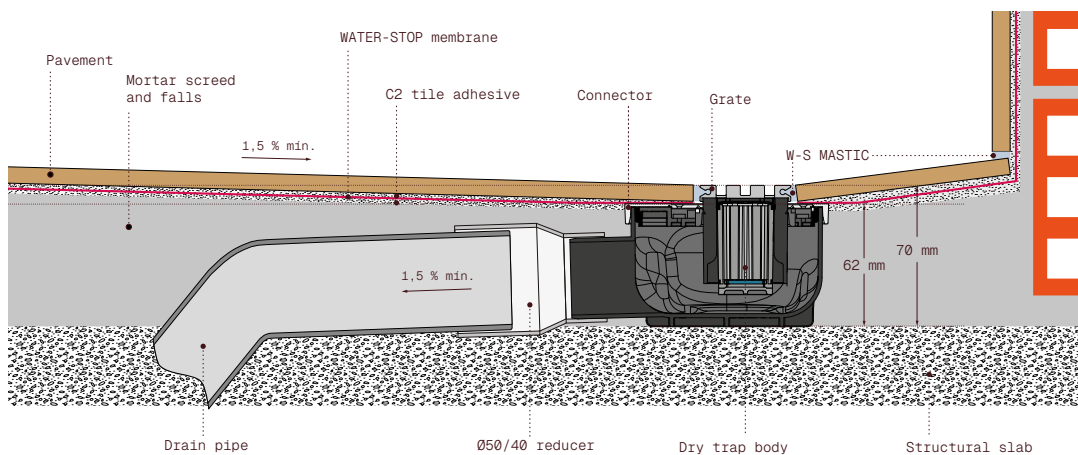
Revolux Tryphon Complete cut-to-size shower kit

Installation section

Tryphon - Ø50 outlet | Suitable for both trap types: hydraulic or dry.



Tryphon Reducido - Ø40 outlet | Suitable for dry trap only.



Revolux Tryphon Complete cut-to-size shower kit

Installation section

Tryphon Vertical — Ø50 outlet | Suitable for both trap types: hydraulic or dry.

