

# Evolux Microcemento

## Complete shower Kit

### Tryphon Kit

**Description** Shower system with drainage channel and siphonic drain with factory-integrated, heat-bonded waterproofing, formed by a piece of WATER-STOP waterproof membrane. The grate is prepared for microcement installations.

**Features**

- Reinforced structure
- Maximum strength
- Lightweight
- Waterproofing included
- High drainage capacity
- Easy installation
- Effective cleaning
- 10-year warranty

**Technical data**

- Textured stainless steel channel
- Aluminum grate with textured coating
- Dovetail grooves - maximum grip
- Self-centering grate by means of rubber stops

**Manufacturer** Estil Guru S.L.U

P.I. El Pla C/ Telers, 22 - Apdo. 584, 46870, Ontinyent, Valencia, SPAIN | [www.estilguru.com](http://www.estilguru.com) | [guru@estilguru.com](mailto:guru@estilguru.com)  
Tel. 0034 96 291 45 11 | Fax. 0034 96 236 90 10

#### Evolux Microcemento



#### TRYPHON

Ref.	Description	Measures (cm)	Membrane W-S	Siphon
IT47000	Evolux Microcemento	60	2 x 2 · 4 m <sup>2</sup>	Water seal 50 mm
IT47001	Evolux Microcemento	70	2 x 2 · 4 m <sup>2</sup>	Water seal 50 mm
IT47002	Evolux Microcemento	80	2 x 2 · 4 m <sup>2</sup>	Water seal 50 mm
IT47003	Evolux Microcemento	90	2 x 2 · 4 m <sup>2</sup>	Water seal 50 mm
IT47004	Evolux Microcemento	100	2 x 2 · 4 m <sup>2</sup>	Water seal 50 mm
IT47005	Evolux Microcemento	120	2 x 2 · 4 m <sup>2</sup>	Water seal 50 mm

# Evolux Microcemento Complete shower Kit

## Tryphon Kit

### TRYPHON REDUCED

Ref.	Description	Measures (cm)	Membrane W-S	Siphon
IT47000R	Evolux Microcemento	60	2 x 2 · 4 m <sup>2</sup>	Mechanical
IT47001R	Evolux Microcemento	70	2 x 2 · 4 m <sup>2</sup>	Mechanical
IT47002R	Evolux Microcemento	80	2 x 2 · 4 m <sup>2</sup>	Mechanical
IT47003R	Evolux Microcemento	90	2 x 2 · 4 m <sup>2</sup>	Mechanical
IT47004R	Evolux Microcemento	100	2 x 2 · 4 m <sup>2</sup>	Mechanical
IT47005R	Evolux Microcemento	120	2 x 2 · 4 m <sup>2</sup>	Mechanical

### Test table

Features	Method	Requirement	Unity	Value
	EN 1253-1	EN 1253-1		
Drainage flow rate	Article 5.9.1	Article 4.8 **1	l/s	> 0,5
Water seal height	Article 5.3.1	Article 4.2.2	mm	50
Water seal resistance to pressure	Article 5.3.2	Article 4.1.6	Pa	> 400
Self-cleaning capacity	Article 5.4.2	Article 4.2.2	-	Pass
Blockage prevention	Article 5.4.3	Article 4.2.3	-	Pass
Thermal behavior	Article 5.5	Article 4.5	-	Class A
Water tightness	Article 5.8.2	Article 4.6.2	-	Pass
Water tightness of extensions	Article 5.8.2	Article 4.6.3	-	Pass
Odour tightness	Article 5.8.1	Article 4.6.1	-	Pass
Drain tightness used with waterproofing membrane	Article 5.8.3	Article 4.7.3.4	-	Pass
Mechanical resistance of the flange / waterproof membrane connection (factory mounted)	Article 5.7.3	Article 4.7.3.4	N	> 100 N
Load resistance	Article 5.6	Article 4.7.1	-	Class K3
Openings in grates (dimensions)	Article 5.1	Article 4.1.3	mm	< 8
Appearance	-	Article 4.1.2	-	Pass
Materials	-	Article 4.4	-	Pass

# Evolux Microcemento Complete shower Kit

## Tryphon Kit

DRY DRAIN Features	Method	Requirement	Unity	Value
	EN 1253-7	EN 1253-7		
Discharge flow rate	Article 4.11.2	Article 4.11.1	l/s	> 0,8
Sealing resistance	Article 4.4.2	Article 4.4.1	-	Pass
Blockage prevention	Article 4.5.1.3	Article 4.5.1.2	-	Pass
Thermal performance	Article 4.8.3	Article 4.8.2	-	Class A
Water tightness	Article 4.9.2.2	Article 4.9.2.1	-	Pass
Odour tightness	Article 4.9.1.2	Article 4.9.1.1	-	Pass

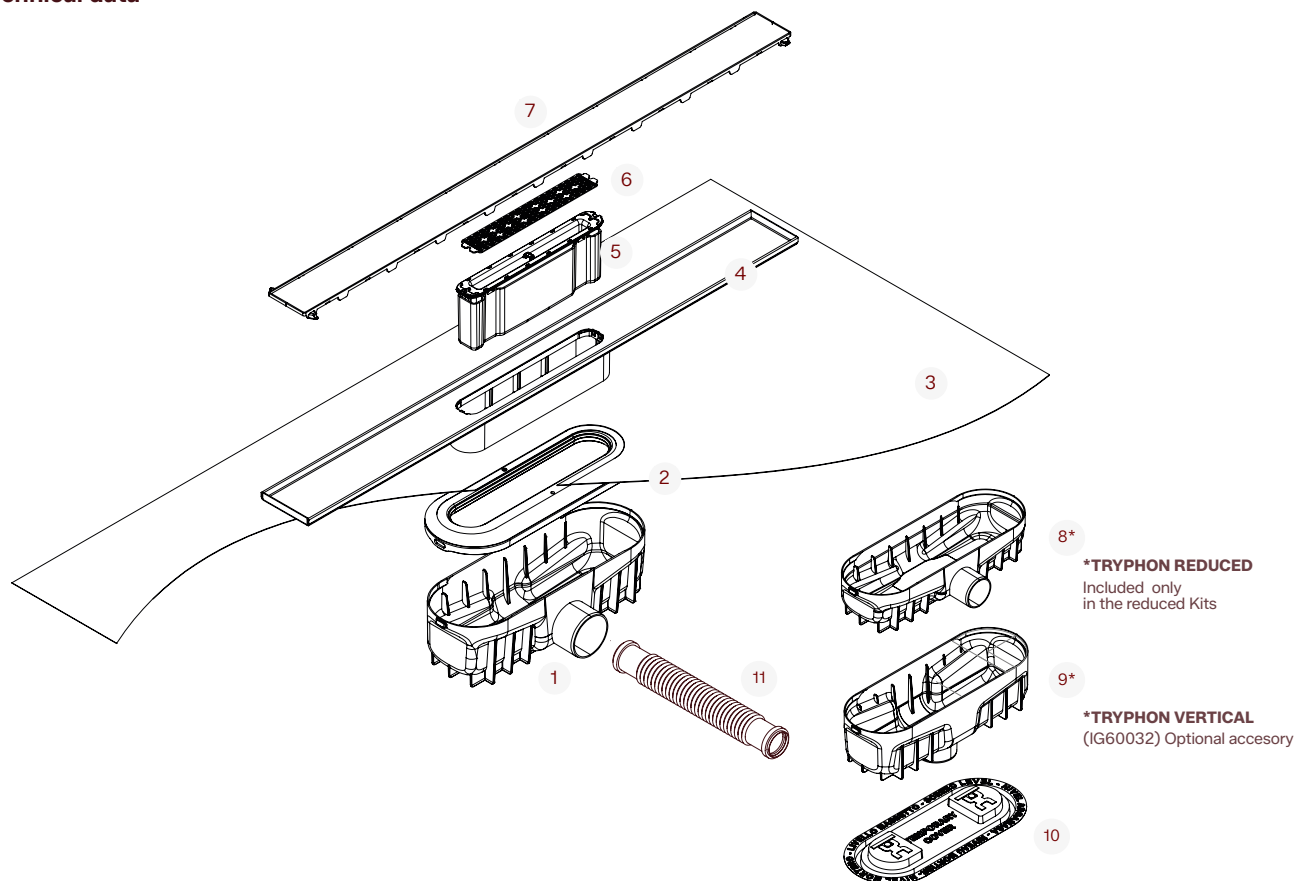
### System components

Components	Material	Dimensiones	Unity
Linear grate	Stainless steel AISI 304	597/697/797/897/997/1197 × 52,5 × 9	mm
Linear channel	Stainless steel AISI 304	600/700/800/900/1000/1200 × 68,2 × 10	mm
Collector	PA6	-	-
Hair strainer	PP	-	mm
Cover		-	mm
Front Drain	Body	Height 78	mm
	Horizontal outlet	DN/DI 50	mm
Vertical drain	Body	Height 73	mm
	Vertical outlet	DN/DI 50	mm
Reduced drain	Body	Height 60	mm
	Horizontal outlet	DN/DI 40	mm
Adapter	ABS/SBS (rubber)	-	-
Waterproofing membrane	WATER-STOP	2 m x 2 m = (4 m <sup>2</sup> )	m

# Evolux Microcemento Complete shower Kit

## Tryphon Kit

### Technical data



Piece	Description	Material
1	Tryphon drain	ABS
2	Adapter	ABS/SBS
3	Water-stop membrane	EVAC
4	Linear channel	AISI 304
5	Siphon *1	ABS/TPU

\*1 Two types of siphon: water seal (hydraulic) or dry trap.

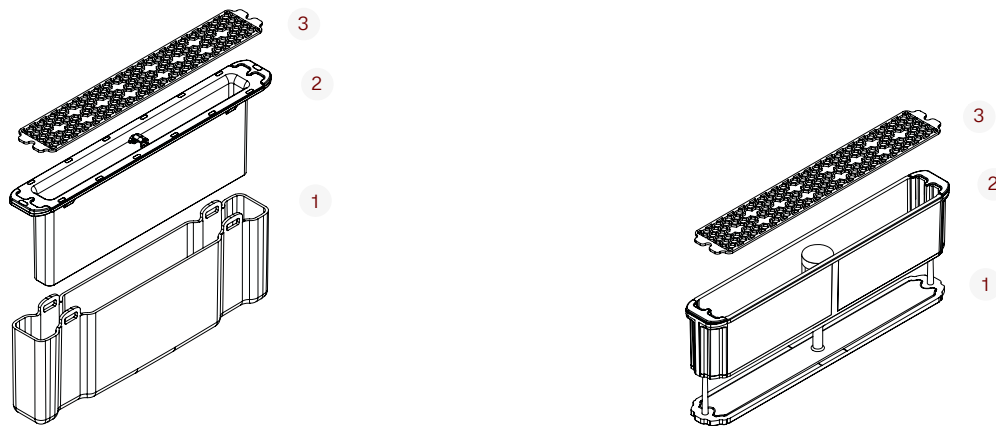
Piece	Description	Material
6	Hair Strainer	PP
7	Linear Grate	AISI 304
8	Reduced Tryphon Drain *2	ABS
9	Vertical Tryphon Drain *3	ABS
10	Protective Cover	PVC
11	Flexible sleeve *4	PVC

\*2 Included only in the reduced kits | \*3 Complementary accessory (IG60032) | \*4 Flexible sleeve Ø50 included in the Tryphon kit and flexible sleeve Ø40 included in the reduced Tryphon kit.

# Evolux Microcemento Complete shower Kit

## Tryphon Kit

### Technical data

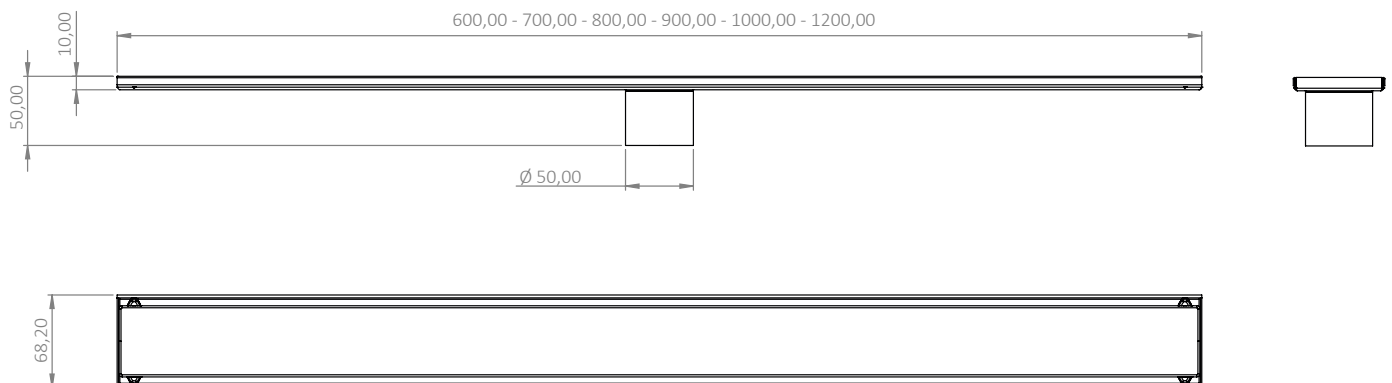


Piece	Description	Material
1	Drain (water seal trap)	ABS
2	Cover (water seal trap)	ABS/TPU
3	Hair strainer	PP

Piece	Description	Material
1	Cover (dry trap)	PA6
2	Body (dry trap)	ABS/TPU
3	Hair strainer	PP

### Technical data

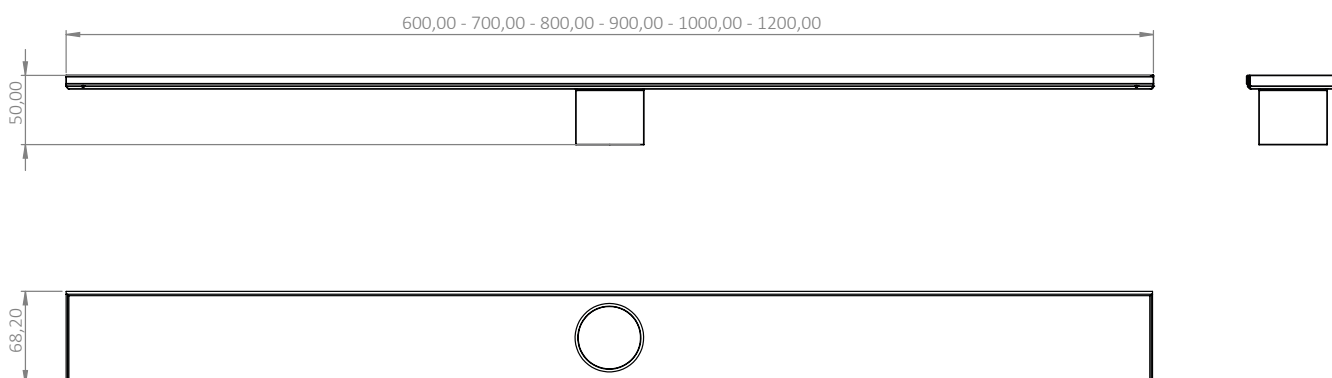
#### Channel + Grate (Measures in mm)



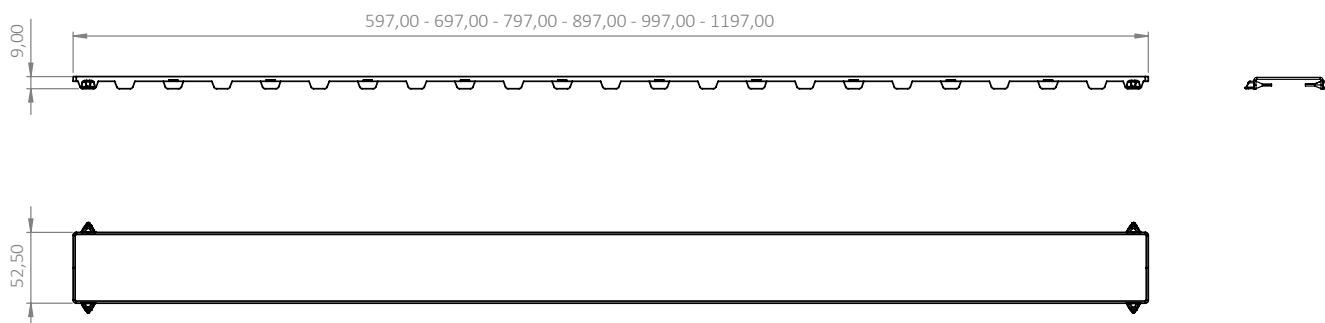
# Evolux Microcemento Complete shower Kit

## Tryphon Kit

### Channel (Measures in mm)



### Grate (Measures in mm)



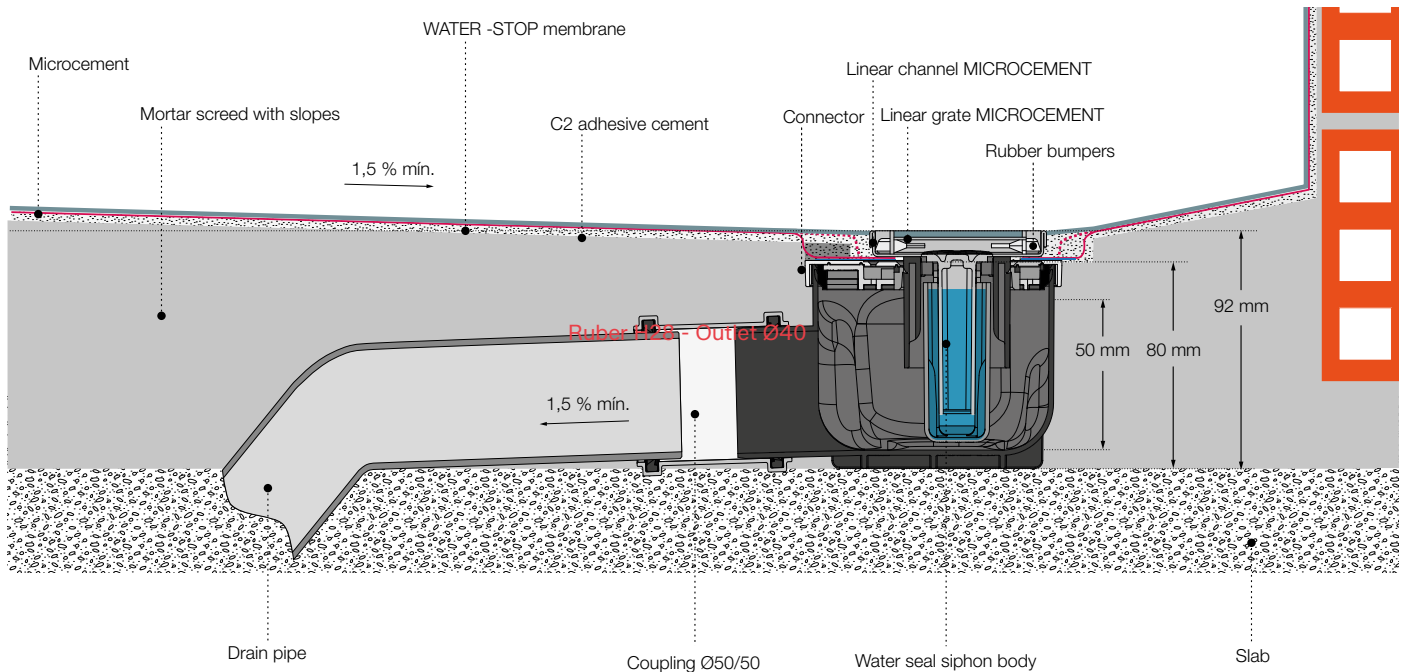
# Evolux Microcemento Complete shower Kit

## Tryphon Kit

### Installation section

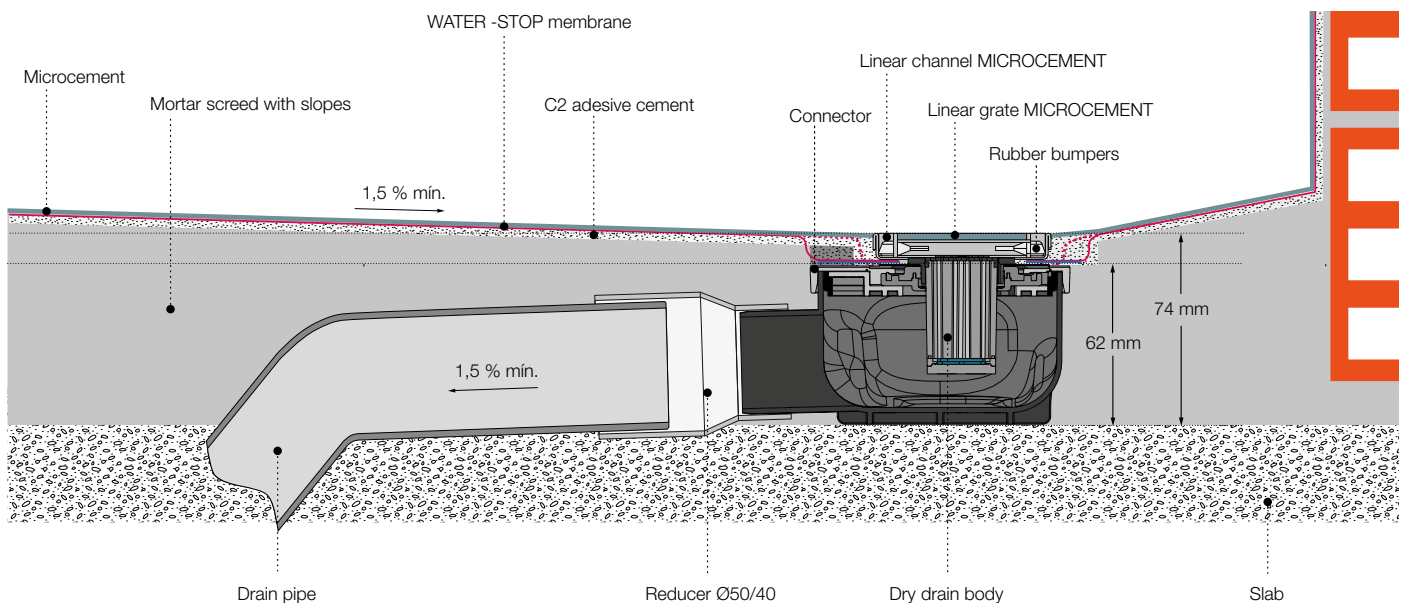
#### Tryphon - Outlet Ø50

It can be used with either type of trap: hydraulic or dry.



#### Tryphon Reduced - Outlet Ø40

It works only with a dry trap.

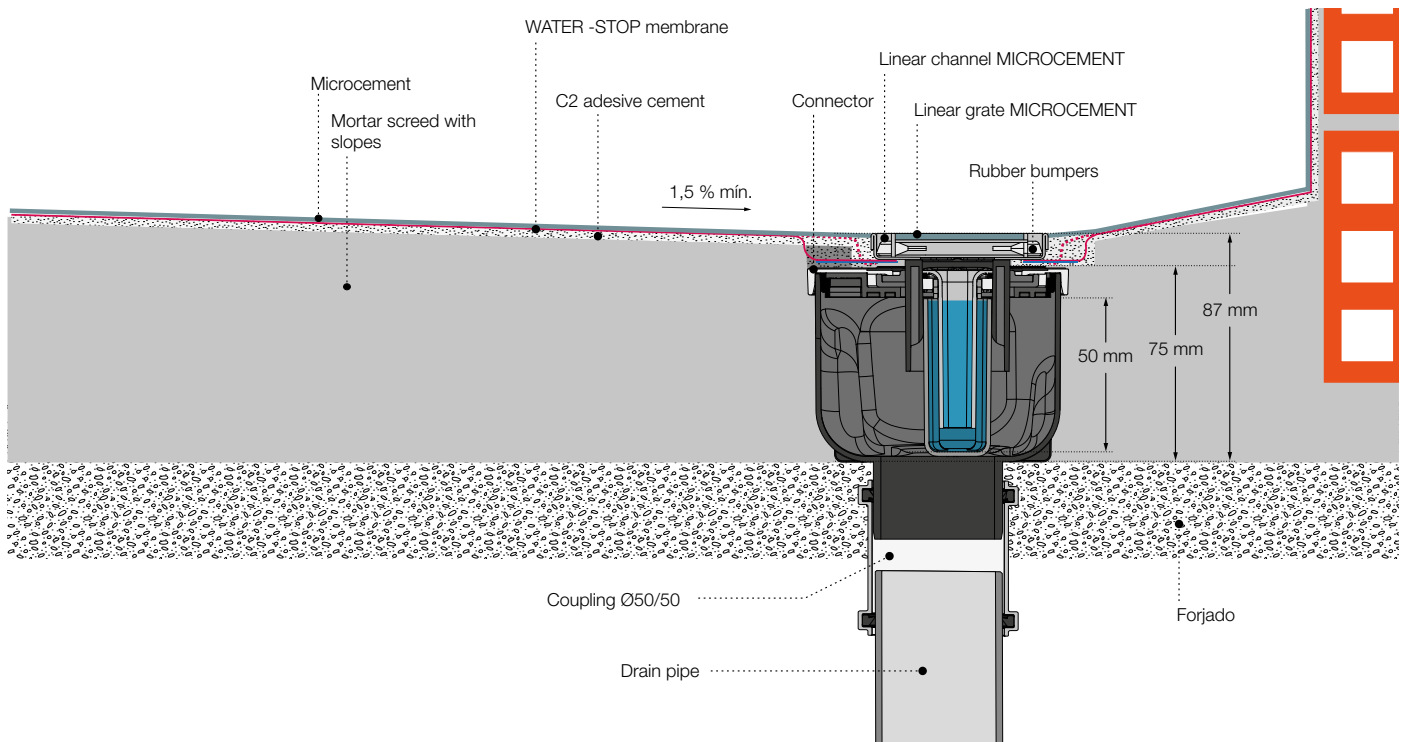


# Evolux Microcemento Complete shower Kit

## Tryphon Kit

Tryphon Vertical\* - Outlet Ø50

*Puede ir con ambos sifones: hidráulico o seco.*



\* Complementary accessory: Tryphon Vertical Siphon Body (IG60032)