

Evolux Integra

Complete shower kit

Tryphon Kit

Description

The shower system with Integra grate is specifically designed for the precise and secure installation of large-format ceramic tiles, as its dovetail-type anchoring system guarantees optimal grip.

Its reinforced aluminum structure combines strength and lightness, offering greater durability and stability during installation. In addition, its new 3 mm reduced slot is practically imperceptible, ensuring a more aesthetic finish that enhances the beauty of the ceramic covering.

Features

- Reinforced structure
- Maximum strength
- Lightweight
- Waterproofing included
- High drainage capacity
- Easy installation
- Effective cleaning
- 10-year warranty

Technical data

- Textured stainless steel channel
- Aluminum grate with textured coating
- Dovetail grooves - maximum grip
- Self-centering grate by means of rubber stops

Manufacturer

Estil Guru S.L.U

P.I. El Pla C/ Telers, 22 - Apdo. 584, 46870, Ontinyent,
Valencia, SPAIN | www.estilguru.com | guru@estilguru.com
Tel. 0034 96 291 45 11 | Fax. 0034 96 236 90 10

Evolux Integra



TRYPHON

Ref.	Description	Measures (cm)	Membrane W-S	Siphon
IT45040	Evolux Integra	40	2 x 2 · 4 m ²	Water seal / Mechanical 50 mm
IT45050	Evolux Integra	50	2 x 2 · 4 m ²	Water seal / Mechanical 50 mm
IT45000	Evolux Integra	60	2 x 2 · 4 m ²	Water seal / Mechanical 50 mm
IT45001	Evolux Integra	70	2 x 2 · 4 m ²	Water seal / Mechanical 50 mm
IT45002	Evolux Integra	80	2 x 2 · 4 m ²	Water seal / Mechanical 50 mm
IT45003	Evolux Integra	90	2 x 2 · 4 m ²	Water seal / Mechanical 50 mm
IT45004	Evolux Integra	100	2 x 2 · 4 m ²	Water seal / Mechanical 50 mm
IT45005	Evolux Integra	120	2 x 2 · 4 m ²	Water seal / Mechanical 50 mm
IT45150	Evolux Integra	150	2 x 2 · 4 m ²	Water seal / Mechanical 50 mm
IT45180	Evolux Integra	180	2 x 2 · 4 m ²	Water seal / Mechanical 50 mm

Evolux Integra

Complete shower kit

Tryphon Kit

TRYPHON REDUCIDO

Ref.	Description	Measures(cm)	Membrane W-S	Siphon
IT45040R	Evolux Integra	40	2 x 2 · 4 m ²	Mechanical
IT45050R	Evolux Integra	50	2 x 2 · 4 m ²	Mechanical
IT45000R	Evolux Integra	60	2 x 2 · 4 m ²	Mechanical
IT45001R	Evolux Integra	70	2 x 2 · 4 m ²	Mechanical
IT45002R	Evolux Integra	80	2 x 2 · 4 m ²	Mechanical
IT45003R	Evolux Integra	90	2 x 2 · 4 m ²	Mechanical
IT45004R	Evolux Integra	100	2 x 2 · 4 m ²	Mechanical
IT45005R	Evolux Integra	120	2 x 2 · 4 m ²	Mechanical
IT45150R	Evolux Integra	150	2 x 2 · 4 m ²	Mechanical
IT45180R	Evolux Integra	180	2 x 2 · 4 m ²	Mechanical

Test table

Features	Method	Exigence	Unity	Value
Hydraulic Siphon	EN 1253-1	EN 1253-1		
Discharge flow rate	Article 5.9.1	Article 4.8 ^{*1}	l/s	> 0,5
Height of the water trap	Article 5.3.1	Article 4.2.2	mm	50
Water seal pressure resistance	Article 5.3.2	Article 4.1.6	Pa	> 400
Self-cleaning capacity	Article 5.4.2	Article 4.2.2	-	Pass
Blockage prevention	Article 5.4.3	Article 4.2.3	-	Pass
Thermal resistance	Article 5.5	Article 4.5	-	Class A
Watertightness	Article 5.8.2	Article 4.6.2	-	Pass
Extension watertightness	Article 5.8.2	Article 4.6.3	-	Pass
Odour tightness	Article 5.8.1	Article 4.6.1	-	Pass
Watertightness of drain used with waterproof membrane	Article 5.8.3	Article 4.7.3.4	-	Pass
Mechanical resistance of factory-mounted flange/membrane connection	Article 5.7.3	Article 4.7.3.4	N	> 100
Load resistance	Article 5.6	Article 4.7.1	-	Class K3
Grating openings (dimensions)	Article 5.1	Article 4.1.3	mm	< 8
Appearance	-	Article 4.1.2	-	Pass
Materials	-	Article 4.4	-	Pass

Evolux Integra

Complete shower kit

Tryphon Kit

Features	Method	Exigence	Unity	Value
Dry Siphon	EN 1253-7	EN 1253-7		
Discharge flow rate	Article 4.11.2	Article 4.11.1	l/s	> 0,8
Sealing resistance	Article 4.4.2	Article 4.4.1	-	Pass
Blockage prevention	Article 4.5.1.3	Article 4.5.1.2	-	Pass
Thermal performance	Article 4.8.3	Article 4.8.2	-	Class A
Water tightness	Article 4.9.2.2	Article 4.9.2.1	-	Pass
Odour tightness	Article 4.9.1.2	Article 4.9.1.1	-	Pass

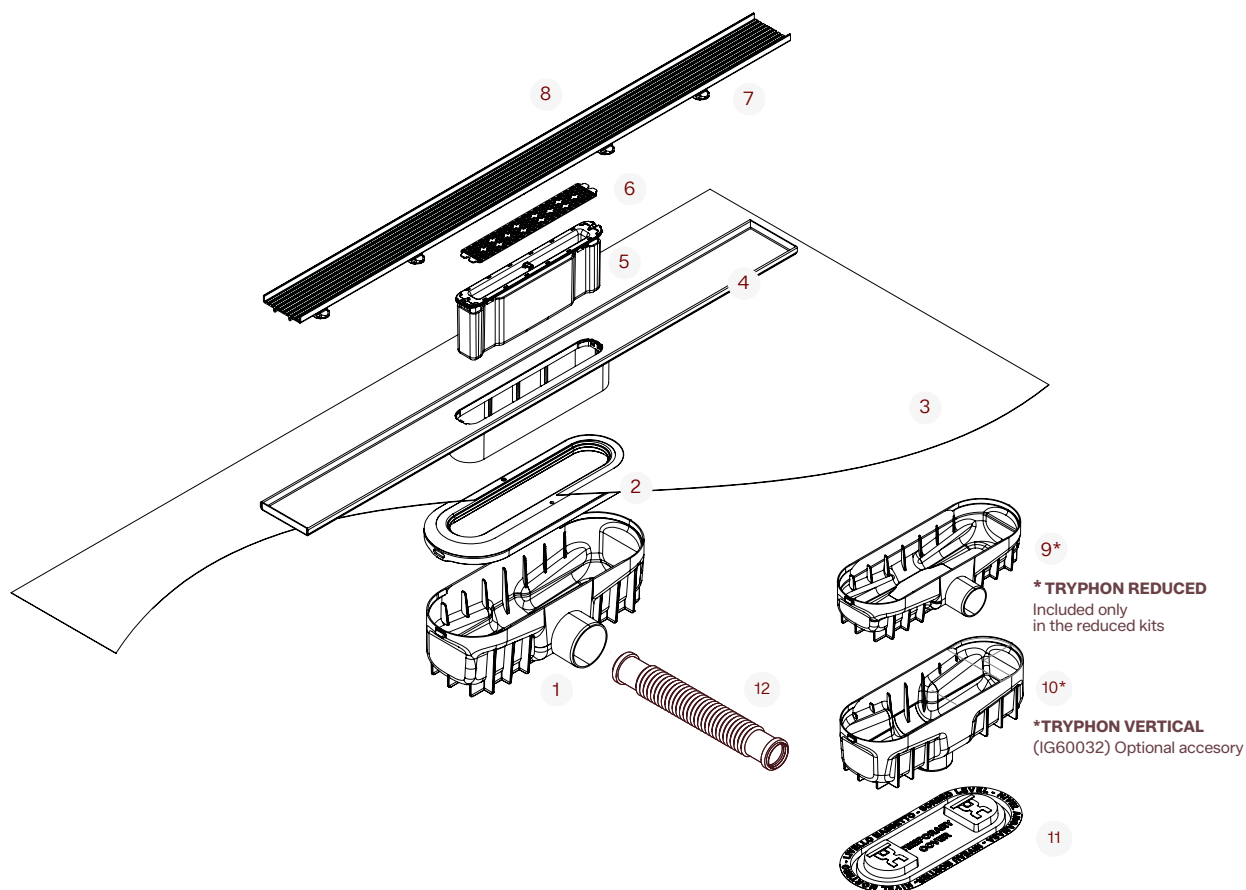
System components

Components	Material	Dimensions	Unity
Linear grate	Aluminium	397/497/597/697/797/897/997/1197/1497/1797 7 × 53 × 12,75	mm
Linear channel	Stainless steel AISI 304	400/500/600/700/800/900/1000/1200/1500 /1800 × 66 × 16,75	mm
Collector	ABS	-	-
Hair strainer	PP	-	mm
Cover		-	mm
Front drain	Body	Height 78	mm
	Horizontal outlet	DN/DI 50	mm
Vertical drain	Body	Height 73	mm
	Vertical outlet	DN/DI 50	mm
Reduced drain	Body	Height 60	mm
	Horizontal outlet	DN/DI 40	mm
Adapter	ABS/SBS (rubber)	-	-
Waterproofing membrane	WATER-STOP	2 m x 2 m = (4 m ²)	m

Evolux Integra Complete shower kit

Tryphon Kit

System components



Piece	Description	Material
1	Tryphon drain	ABS
2	Adapter	ABS/SBS
3	Water-stop membrane	EVAC
4	Linear channel	AISI 304
5	Siphon ^{*1}	ABS/TPU
6	Hair strainer	PP

*1 Two types of siphon: water seal (hydraulic) or dry trap

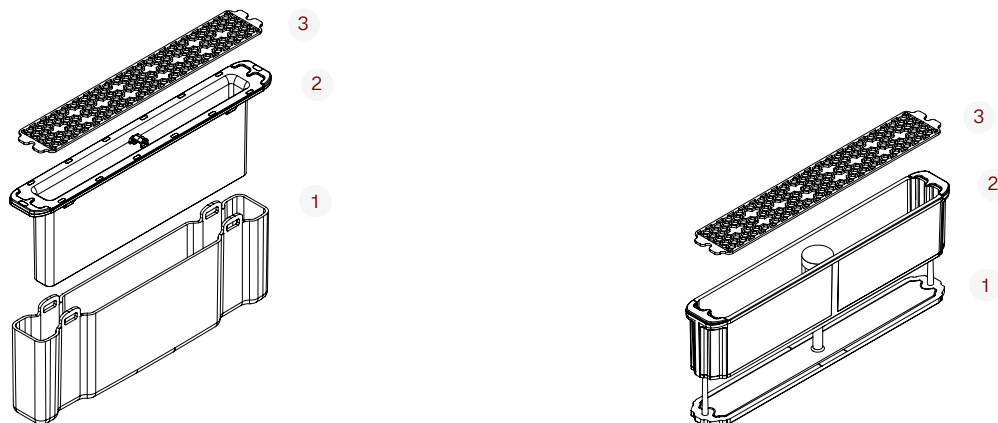
Piece	Description	Material
7	Rubber bumpers	NBR
8	Integra linear grate	Aluminium
9	Reduced tryphon drain ^{*2}	ABS
10	Vertical tryphon drain ^{*3}	ABS
11	Protective cover	PVC
12	Flexible sleeve ^{*4}	PVC

^{*2} Flexible sleeve Ø50 included in the Tryphon kit and flexible sleeve Ø40 included in the reduced Tryphon kit | ^{*3} Included only in the reduced kits | ^{*4} Complementary accessory (IG60032).

Evolux Integra

Complete shower kit

Tryphon Kit

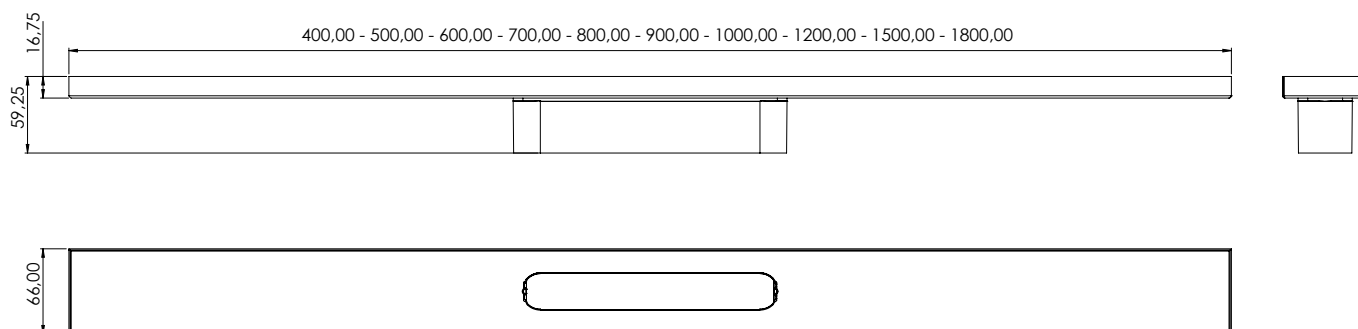


Piece	Description	Material
1	Drain (water seal trap)	ABS
2	Cover (water seal trap)	ABS/TPU
3	Hair strainer	PP

Piece	Description	Material
1	Cover (dry trap)	PA6
2	Body (dry trap)	ABS/TPU
3	Hair strainer	PP

Technical drawings

Linear channel (Measures in mm)

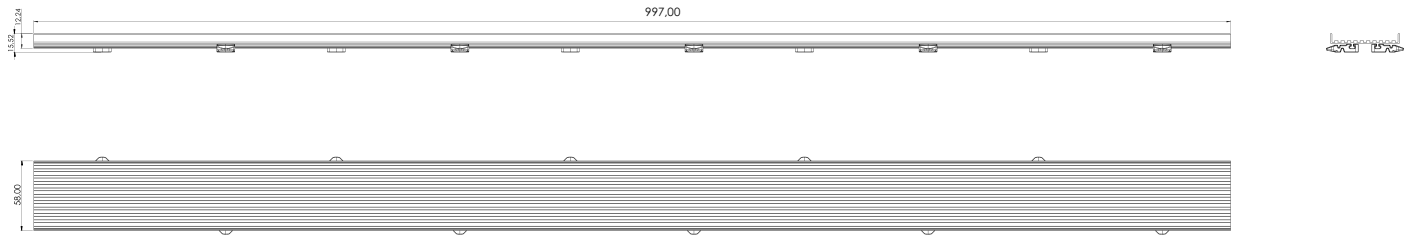


Evolux Integra

Complete shower kit

Tryphon Kit

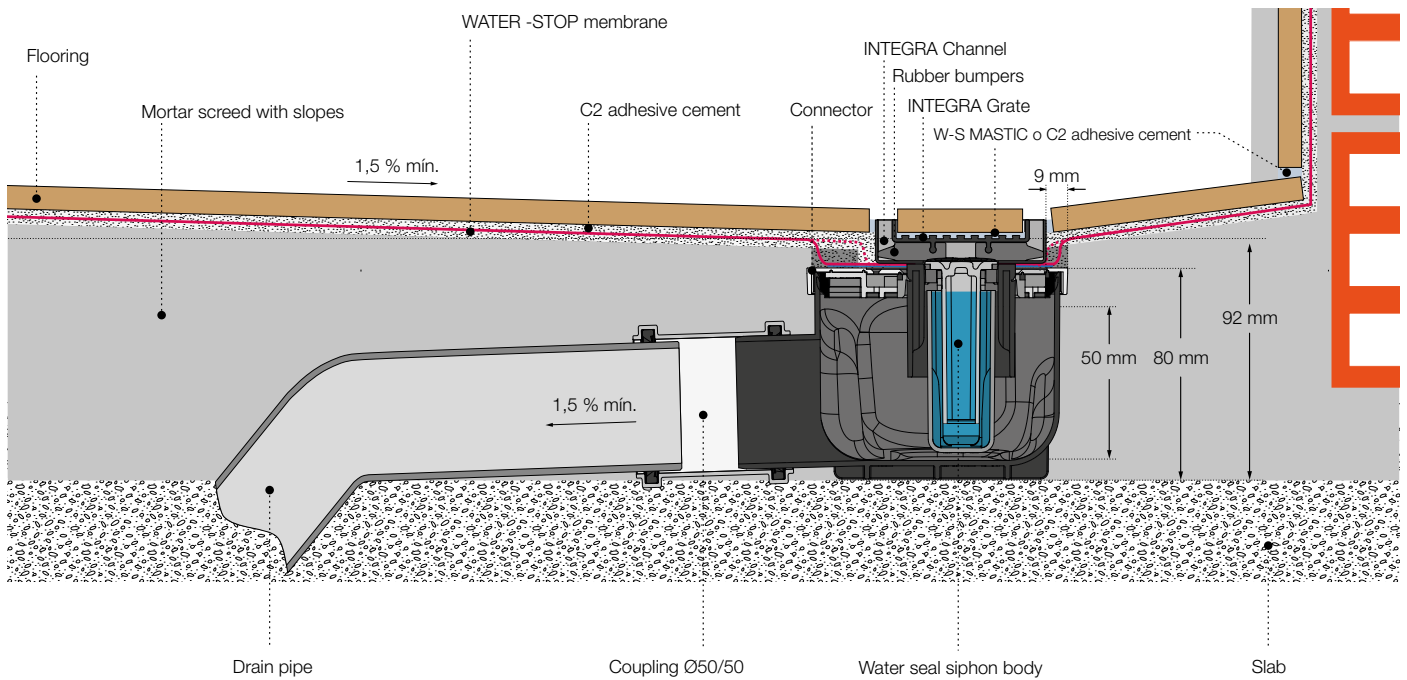
Linear grate (Measures in mm)



Installation section

Tryphon - Outlet Ø50

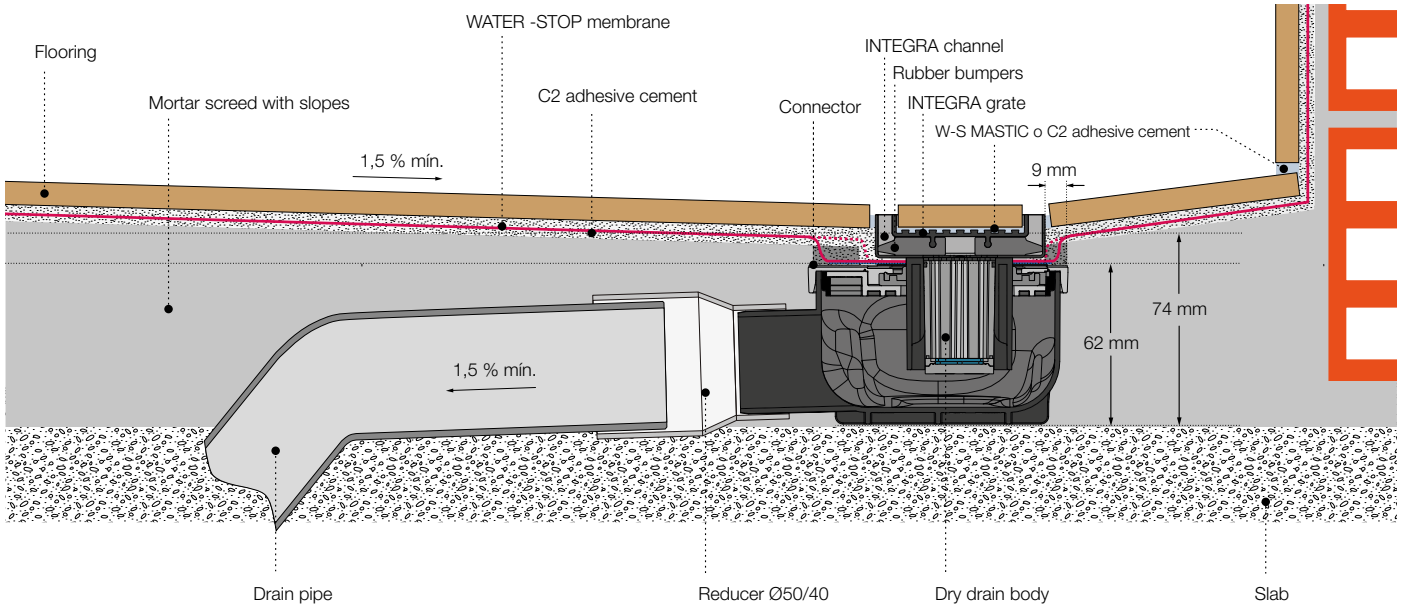
It can be used with both types of siphons: water seal (hydraulic) or dry.



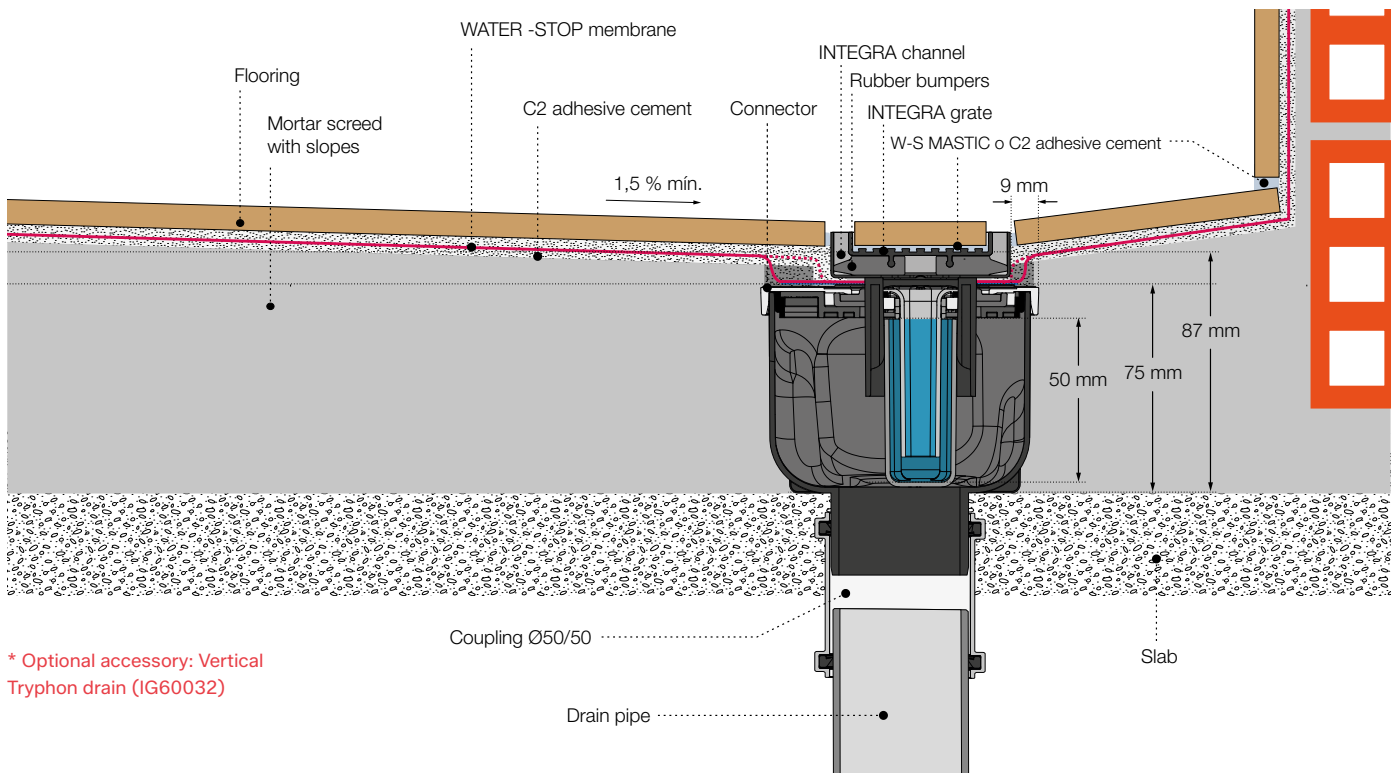
Evolux Integra Complete shower kit

Tryphon Kit

Tryphon Reducido - Outlet Ø40
 It only works with a dry siphon.



Tryphon Vertical* - Outlet Ø50
 It can be used with both types of siphons: water seal (hydraulic) or dry.



* Optional accessory: Vertical Tryphon drain (IG60032)