

EVOLUX INTEGRA SYSTEM (RUBER)

DESCRIPTION: Drainage channel and siphonic floor drain with integrated, factory heat-bonded waterproofing, made from a single WATER-STOP waterproof sheet. The grate is designed to be tiled over.

USE: Construction of built-in shower trays for domestic and/or communal use.

STANDARDS: EN 1253-1:2015 and EN 1253-6:2023

MANUFACTURER: ESTIL GURU S.L.U.

REFERENCES:

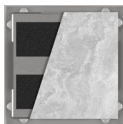
RUBER H50

REFS.	DESCRIPCIÓN	DIMENSION	MEMBRANE	H SIPHON
IE45008	EVOLUX INTEGRA	11,6 x 11,6 cm	1,5 x 2 m	50 mm
IE45009	EVOLUX INTEGRA	15 x 30 cm	1,5 x 2 m	50 mm
IE45040	EVOLUX INTEGRA	40 cm	2 x 2 m	50 mm
IE45050	EVOLUX INTEGRA	50 cm	2 x 2 m	50 mm
IE45000	EVOLUX INTEGRA	60 cm	2 x 2 m	50 mm
IE45001	EVOLUX INTEGRA	70 cm	2 x 2 m	50 mm
IE45002	EVOLUX INTEGRA	80 cm	2 x 2 m	50 mm
IE45003	EVOLUX INTEGRA	90 cm	2 x 2 m	50 mm
IE45004	EVOLUX INTEGRA </td <td>100 cm</td> <td>2 x 2 m</td> <td>50 mm</td>	100 cm	2 x 2 m	50 mm
IE45005	EVOLUX INTEGRA	120 cm	2 x 2 m	50 mm

RUBER H28

REFS.	DESCRIPCIÓN	DIMENSION	MEMBRANE	H SIPHON
IE45008R	EVOLUX INTEGRA	11,6 x 11,6 cm	1,5 x 2 m	28 mm
IE45009R	EVOLUX INTEGRA	15 x 30 cm	1,5 x 2 m	28 mm
IE45040R	EVOLUX INTEGRA	40 cm	2 x 2 m	28 mm
IE45050R	EVOLUX INTEGRA	50 cm	2 x 2 m	28 mm
IE45000R	EVOLUX INTEGRA	60 cm	2 x 2 m	28 mm
IE45001R	EVOLUX INTEGRA	70 cm	2 x 2 m	28 mm
IE45002R	EVOLUX INTEGRA	80 cm	2 x 2 m	28 mm
IE45003R	EVOLUX INTEGRA	90 cm	2 x 2 m	28 mm
IE45004R	EVOLUX INTEGRA	100 cm	2 x 2 m	28 mm
IE45005R	EVOLUX INTEGRA	120 cm	2 x 2 m	28 mm

INTEGRA 11,6



INTEGRA 15 x 30



PLUS



TEST TABLE:

CHARACTERISTICS	METHOD	REQUIREMENT	VALEUR
	EN 1253-1	EN 1253-1	
Discharge flow rate	Article 5.9.1	Article 4.8	> 0,5 l/s
Water seal height RUBER H50 (hydraulic seal)	Article 5.3.1	Article 4.2.2	50 mm
Water seal height RUBER H28 (hydraulic seal)	Article 5.3.1	Article 4.2.2	28 mm
Water seal pressure resistance	Article 5.3.2	Article 4.1.6	> 400 Pa
Self-cleaning capacity	Article 5.4.2	Article 4.2.2	Pass
Blockage prevention	Article 5.4.3	Article 4.2.3	Pass
Thermal resistance	Article 5.5	Article 4.5	Class A
Watertightness	Article 5.8.2	Article 4.6.2	Pass
Extension watertightness	Article 5.8.2	Article 4.6.3	Pass
Odour tightness	Article 5.8.1	Article 4.6.1	Pass
Watertightness of drain used with waterproof membrane	Article 5.8.3	Article 4.7.3.4	Pass
Mechanical resistance of factory-mounted flange/membrane connection	Article 5.7.3	Article 4.7.3.4	> 100N
Load resistance	Article 5.6	Article 4.7.1	Class K3
Grating openings (dimensions)	Article 5.1	Art. 4.1.3	< 8 mm
Appearance	-	Art. 4.1.2	Pass
Materials	-	Art. 4.4	Pass

ADDITIONAL INFORMATION:

- » Allows the siphon to be bypassed if an external trap is present in the drainage network.
- » Secondary drainage with a non-return system to evacuate infiltration water.
- » Total installation height of RUBER H50 including flooring and adhesive: minimum 100 mm / maximum 120 mm.
- » Total installation height of RUBER H28 including flooring and adhesive: minimum 80 mm / maximum 100 mm.
- » Accepts any flooring thickness.
- » Push-fit connections between the different components of the drainage system.
- » RUBER H50 outlet: push-fit connection.
- » RUBER H28 outlet: solvent-weld connection.
- » Decoupling via elastic joints allowing slight movement between parts.
- » 360° rotatable horizontal outlet.
- » Includes protective cover for the drain inlet during installation.

Warning: To avoid the risk of blockage due to a double trap, it is very important to check before installation whether a siphonic drain is needed, or if an external trap will be used.

The body of the system is designed as a siphonic drain, but the water seal can be disabled. If necessary, follow the instructions in the installation procedure.

The trap cannot be disabled or replaced after installation. It is recommended to keep the siphonic drain and connect directly to the drainage pipe without using an external trap.

NOTES AND OBSERVATIONS:

The nominal flow rate at 3 bar pressure of most shower heads ranges between 9 and 20 litres per minute (0.15 to 0.35 l/s). For shower drains, the minimum discharge flow rate required by standards is 0.40 l/s (24 litres per minute) for a single shower head. This minimum value does not apply in the case of multi-jet showers or multiple-shower installations with a single drain.

For information regarding the characteristics of the WATER-STOP membrane, please refer to its [TECHNICAL DATA SHEET](#).

The minimum installation height mentioned is the lowest possible due to the dimensions of the drain. In each installation, the actual effective minimum height will be that which allows the drainage pipe to have the correct slope towards the evacuation network, plus the thickness of the flooring and its adhesive.

The drainage pipe must have a minimum slope of 1.5% towards the drainage network (the level difference should be 1 to 2 cm per linear metre). The length of this section should not exceed 1 m.

TO RELOCATE THE DRAIN: If the position of the drainage point requires relocating the drain causing excess membrane on one side and shortage on the other, the excess can be cut leaving 10 cm for wall upturns, and stuck where needed, joining membranes with an overlap of 5 to 10 cm wide, in the direction of the slope.

TO GLUE OVERLAP JOINTS: For built-in showers and small non-floodable interior surfaces, the same type C2 tile adhesive used in the installation can be applied. For maximum waterproofing, joints should be sealed with EASEAL polymer cement or an adhesive sealant like W-S MASTIC.

TO ADHERE WATER-STOP TO THE SUBSTRATE: On concrete, brick, or mortar rendering, use type C2 tile adhesive. For other substrates such as plaster, old ceramic, and others, verify that the chosen adhesive is suitable. Follow the manufacturer's instructions for application.

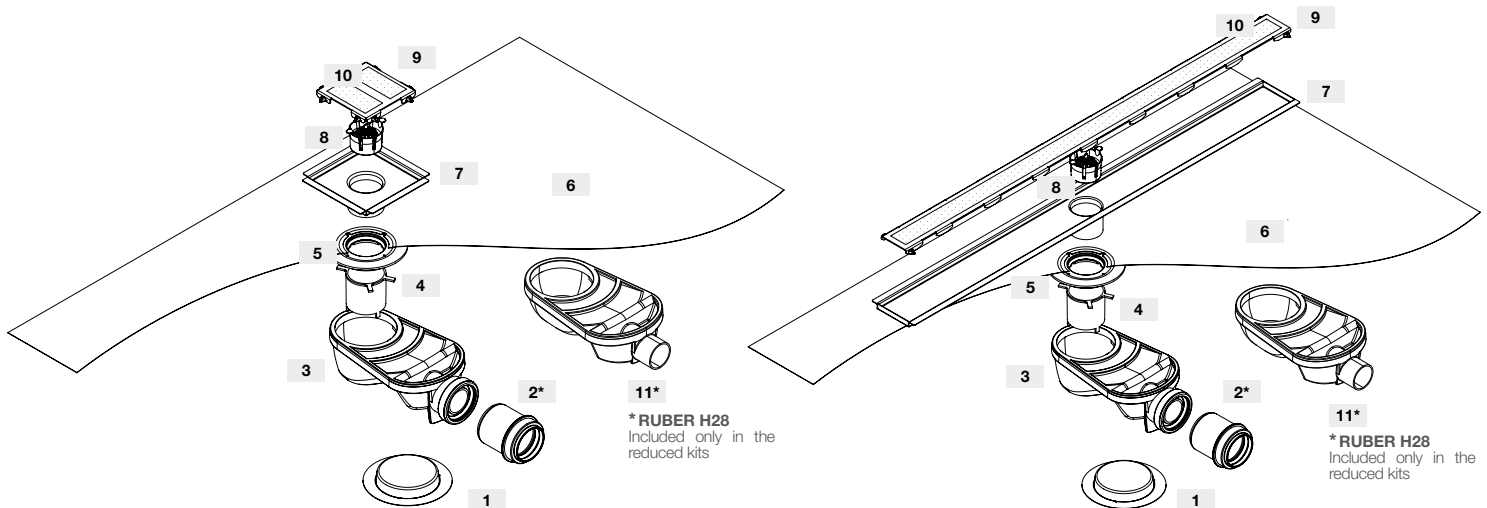
TO ADHERE FLOOR COVERINGS TO WATER-STOP: For ceramic or similar flooring, use type C2 tile adhesive. For other coverings such as wood, textiles, and others, use an adhesive suitable for the covering and moisture-resistant. Follow the manufacturer's instructions for application.

TO COMPLETE THE WATERPROOF PROTECTION: To achieve a shower free of humidity from infiltration and condensation, protection on the floor alone is insufficient. Walls must also be protected up to 2 m in height. Use the WATER-STOP membrane and its accessories. If this is not possible, at least protect the wall around water connections down to the floor.

The additional data provided are for informational purposes and may be changed without prior notice. It is strongly recommended to carry out any tests deemed necessary to verify the suitability of the product for the intended use when this differs from what is stated.

COMPONENTS:

SYSTEM COMPONENT	COMPOSITION	DIMENSIONS	UNIT
Drain channels with point gratings	Stainless steel AISI 304	116 x 116 x 10 150 x 300 x 10	mm
Drain channels with linear gratings		400/500/600/700/800/900/1000/1200 x 69 x 10	mm
Coupling flange / connector	ABS	DN/DI 50	mm
RUBER H50 siphon body		HEIGHT 78	mm
RUBER H28 siphon body		HEIGHT 58	mm
Horizontal outlet RUBER H50 (push-fit connection)		DN/DI 50	mm
Horizontal outlet RUBER H28 (solvent weld connection)		DN/DI 40	mm
Reducer (only with RUBER H50)		PP	DN 50/40
Waterproofing membrane *2	WATER-STOP	2 x 1,5 = (3 m ²) 1 x 1 = (1 m ²)	m
Sliding elastic seals / O-rings	SBR / NBR	-	



PIECE	DENOMINATION	MATERIAL
1	PROTECTIVE COVER	PVC
2	*1 REDUCER	PP
3	DRAIN RUBER H50	ABS
4	RUBER SHOWER HEAD	ABS
5	ADAPTER	ABS
6	WATER-STOP MEMBRANE	EVAC
7	POINT CHANNEL	STAINLESS STEEL
8	HAIR STRAINER	ABS
9	POINT GRATE	STAINLESS STEEL
10	ANTI-SLIP TAPE	-
11	*2 DRAIN RUBER H28	ABS

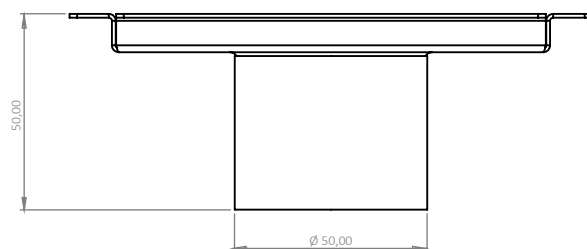
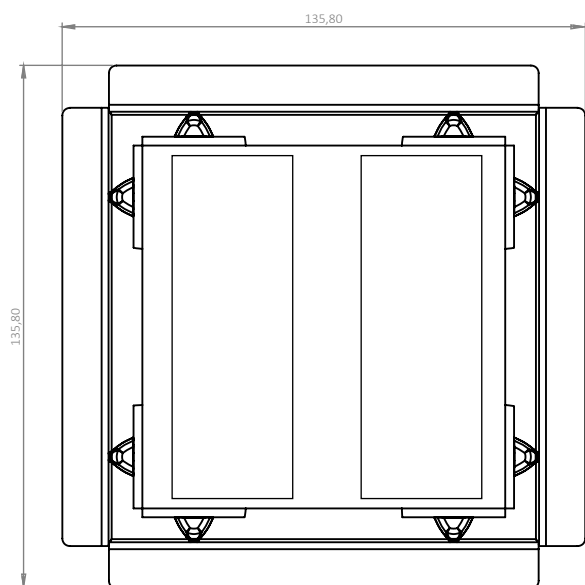
*1 Only included with RUBER H50
*2 Included only in the reduced kits

PIECE	DENOMINATION	MATERIAL
1	PROTECTIVE COVER	PVC
2	*1 REDUCER	PP
3	DRAIN RUBER H50	ABS
4	RUBER SHOWER HEAD	ABS
5	ADAPTER	ABS
6	WATER-STOP MEMBRANE	EVAC
7	LINEAR CHANNEL	STAINLESS STEEL
8	HAIR STRAINER	ABS
9	LINEAR GRATE	STAINLESS STEEL
10	ANTI-SLIP TAPE	-
11	*2 DRAIN RUBER H28	ABS

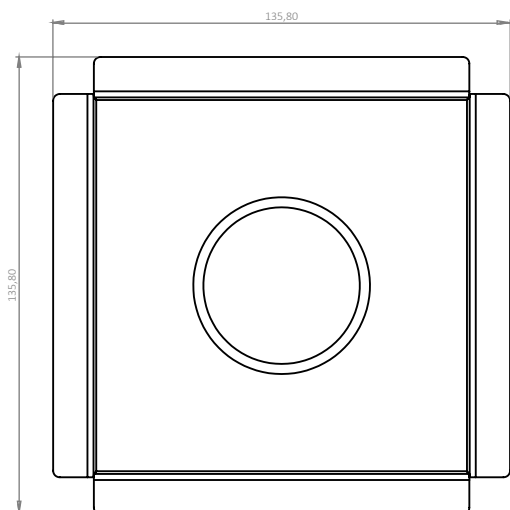
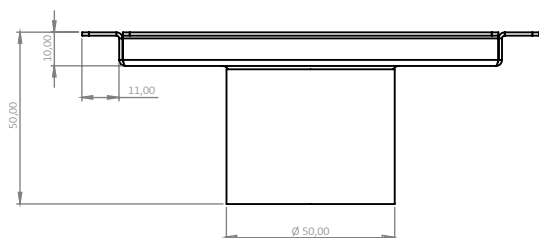
*1 Only included with RUBER H50
*2 Included only in the reduced kits

TECHNICAL DRAWINGS (POINT):

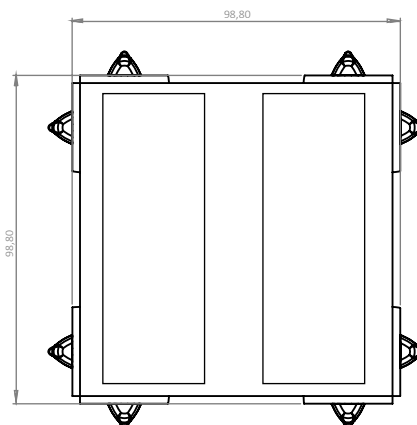
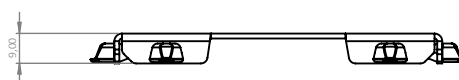
INTEGRA 11,6 (CHANNEL + GRATE)



INTEGRA 11,6 (CHANNEL)

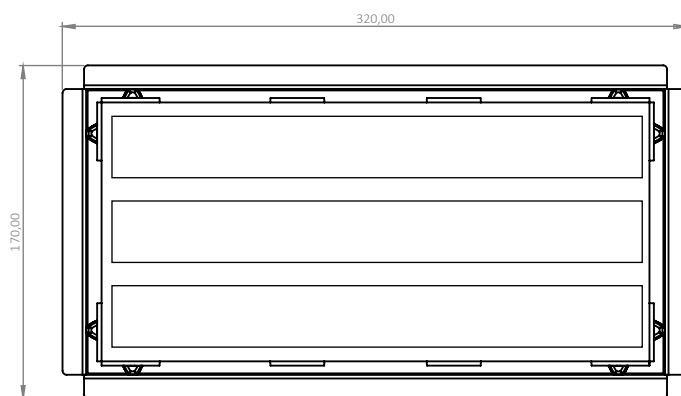
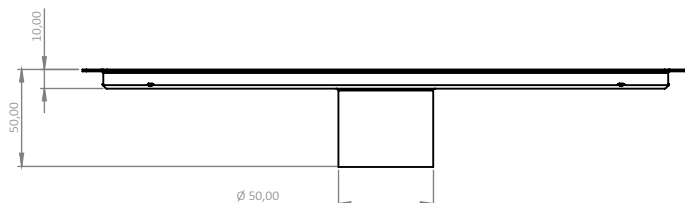


INTEGRA 11,6 (GRATE)

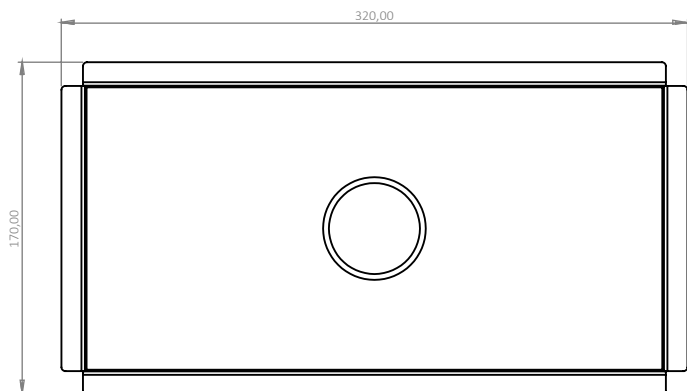
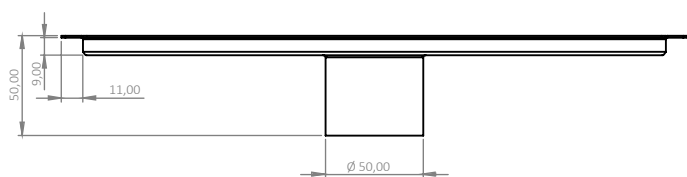


TECHNICAL DRAWINGS (POINT):

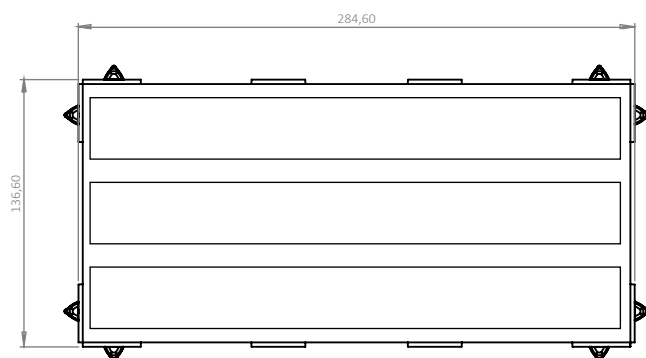
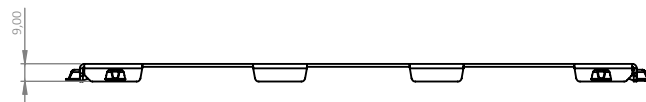
INTEGRA 15 x 30 (CHANNEL + GRATE)



INTEGRA 15 x 30 (CHANNEL)

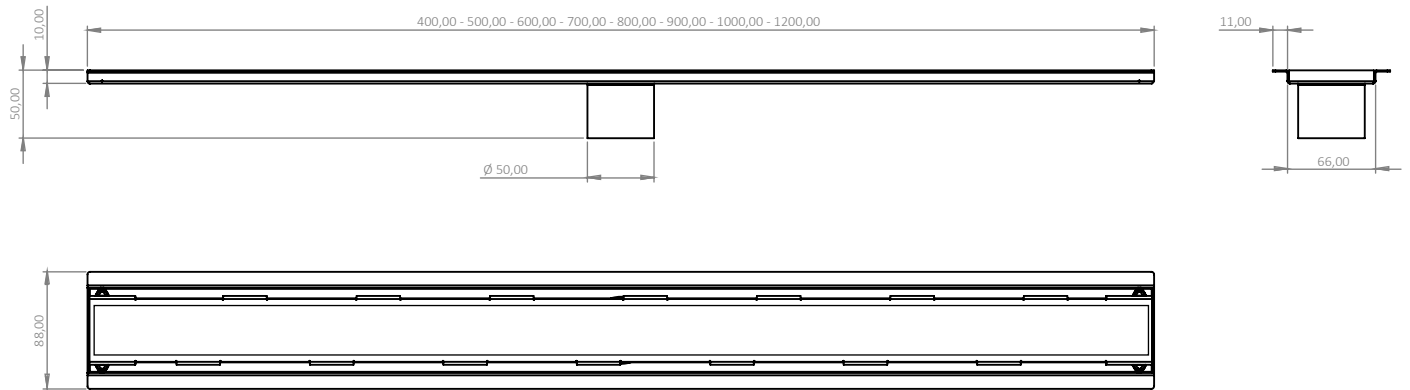


INTEGRA 15 x 30 (GRATE)

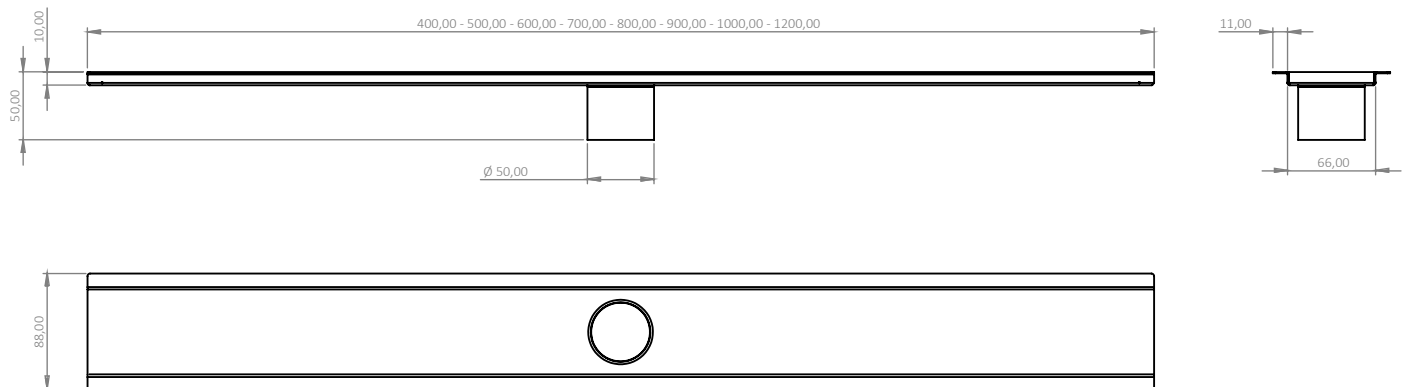


TECHNICAL DRAWINGS (LINEAR):

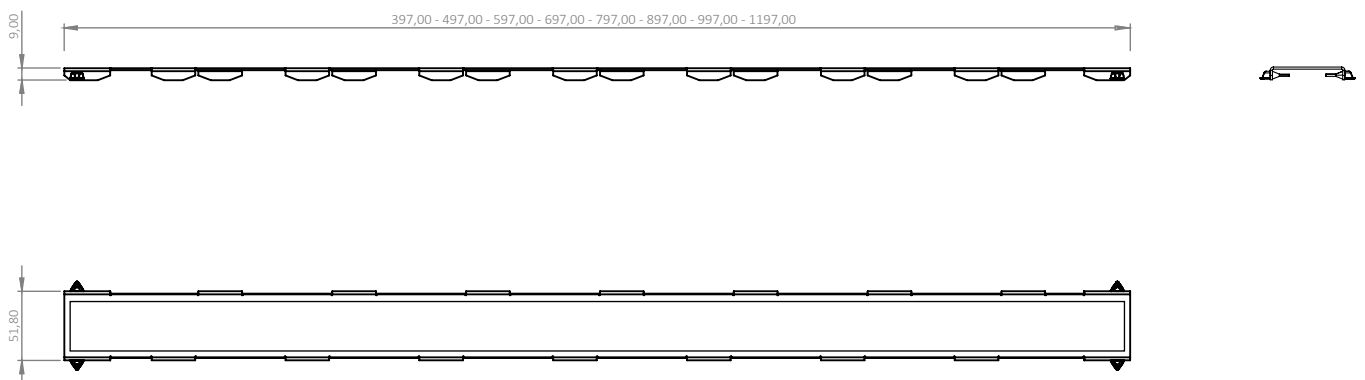
PLUS (CHANNEL + GRATE)



INTEGRA (CHANNEL)

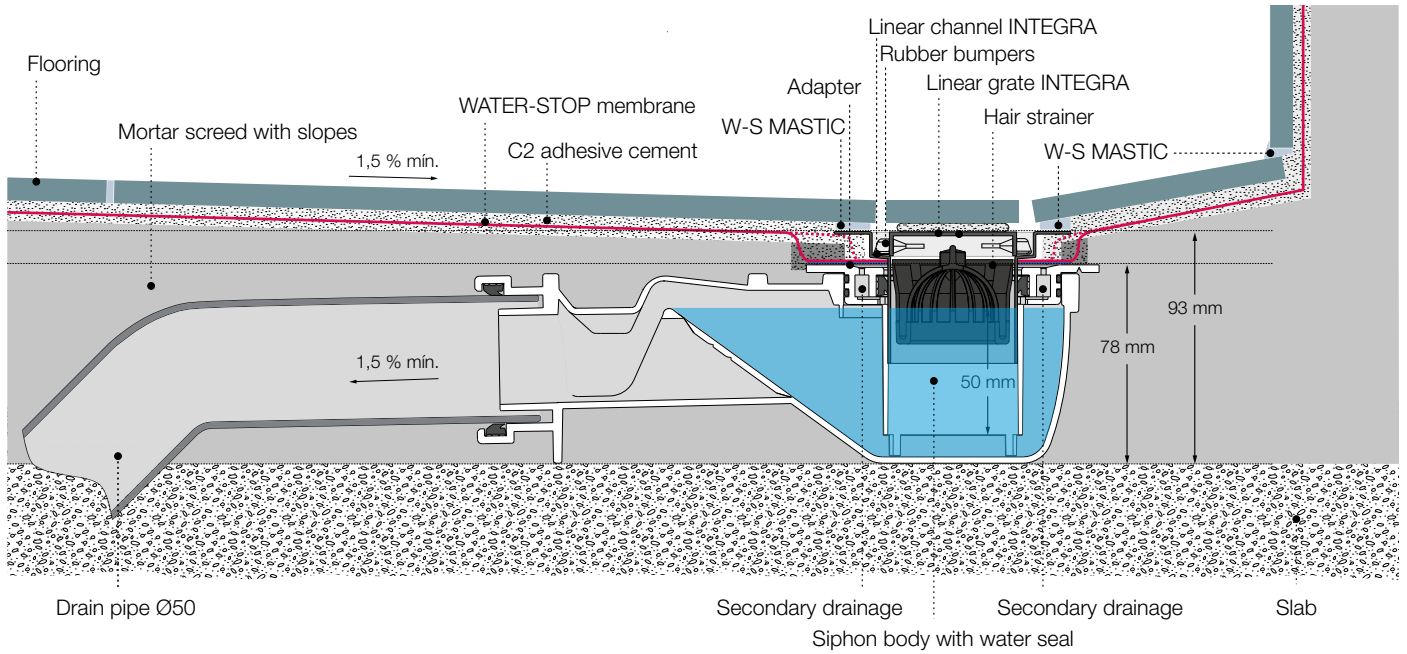


INTEGRA (GRATE)



INSTALLATION SECTION

RUBER H50 - Outlet Ø50



RUBER H28 - Outlet Ø40

