

# SafeBand

Multiaxial flexible seal band

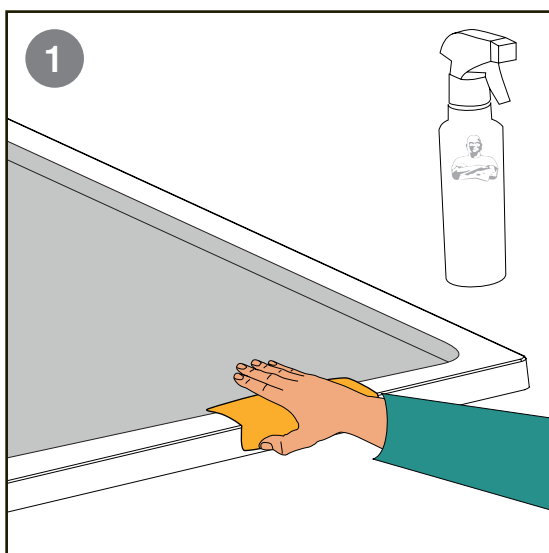
## CONTENTS



**SafeBand** sealing tape is suited for all common bath tubs and shower trays made of metal, acryl and ceramic. The tape will be fixed in the course of the sanitary ware installation at the tray or the tub's edges and the wall/ floor connecting to the waterproofing, and in the second step tiled over. This results in secure and invisible protection against moisture.

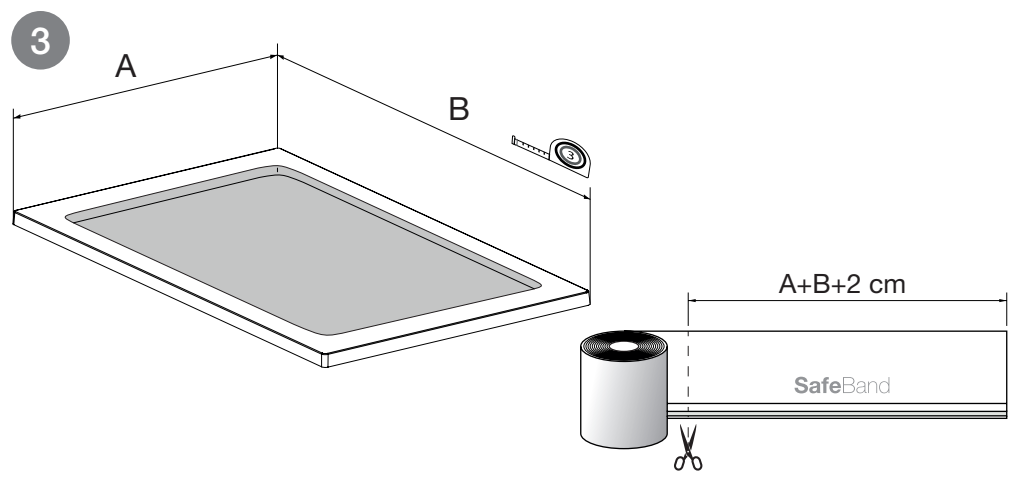
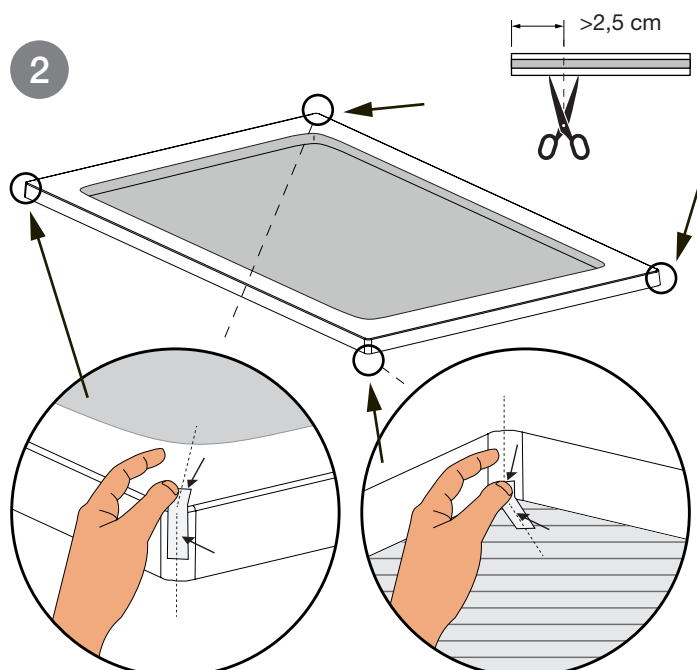
## I CLEAN UP

Wipe the contour of the shower tray or bathtub clean with a cloth and a suitable cleaner (see image 1). Let a few minutes to dry.



## II TREAT THE CORNERS

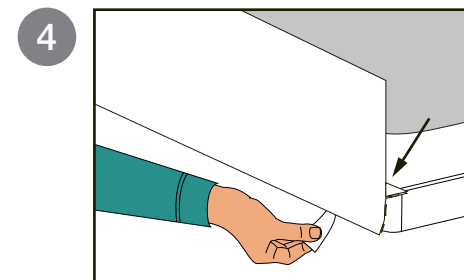
Cut the butyl string (see contents) into pieces of about 2,5 cm (1"). Stick one on each corner in the position as in the picture. Push down on the release paper using the shovel squeegee (see contents).



## III SIDES TO THE WALL

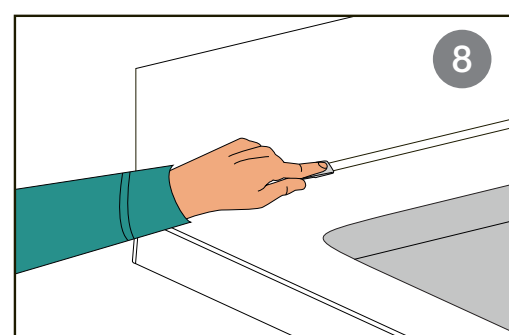
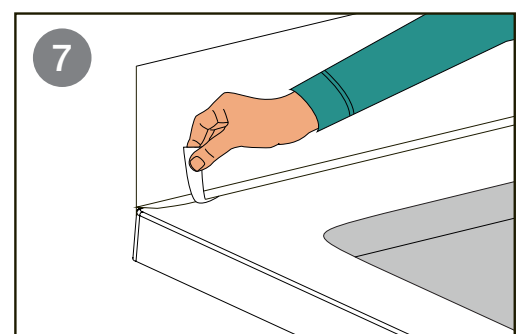
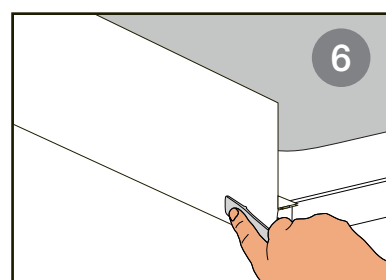
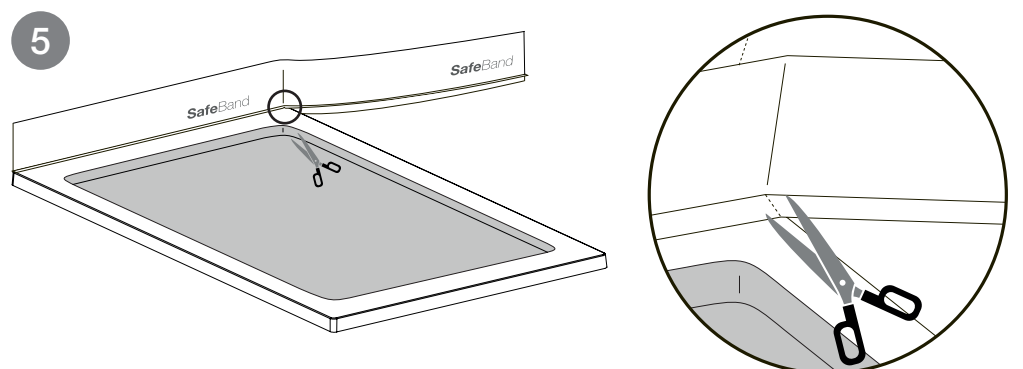
**SafeBand** shall be installed in a continuous one-piece strip to form the leak-proof barrier on the walls. Cut to the needed lengths (see image 3).

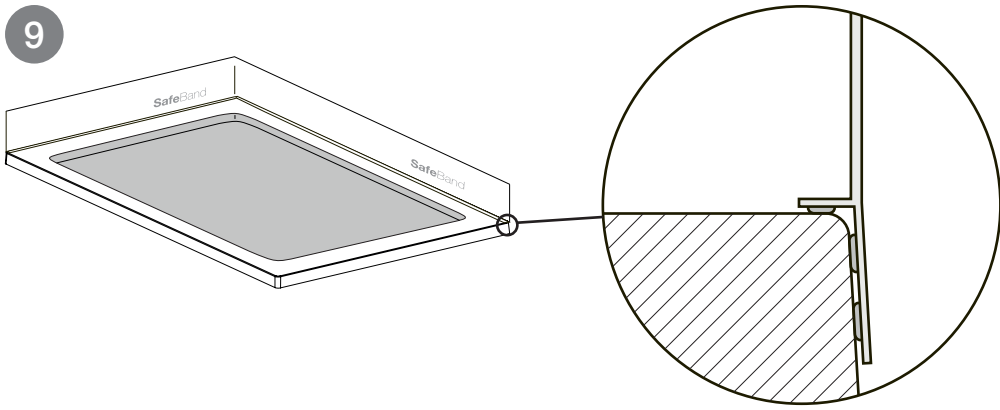
First install the sides that will be against the wall. **SafeBand** has 2 flanges, one wider than the other, both with adhesive butyl lines protected by 2 release paper strips. Remove the widest release paper about 20 cm (8") and start sticking from a corner on the flank of the shower tray or bathtub (see image 4). The narrow flange, still with its release paper, should stand on the upper edge.



Remove some more release paper and carry on sticking keeping the straight line. Before bend at the corners, make a small cut in the narrow flange to facilitate folding (see image 5).

Now start to peel the narrow flange and stick it on the upper edge (see image 7). Once the entire strip is attached, press hard with the squeegee shovel all the way around. Trim the excess (see image 6 and 8).

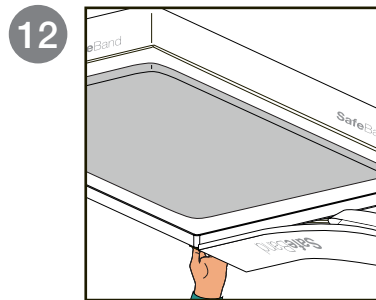
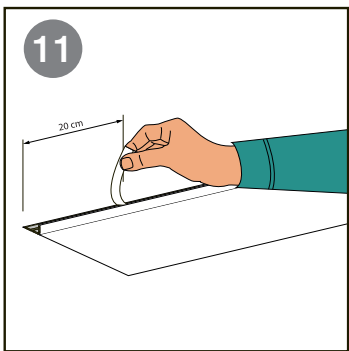
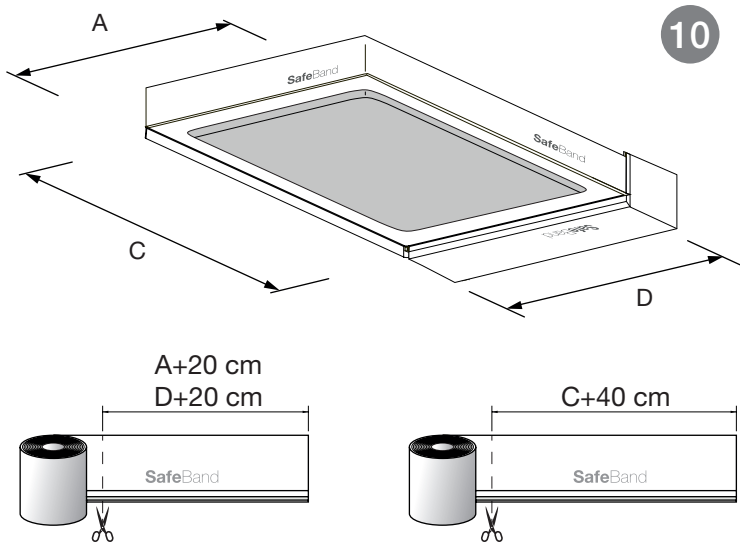




#### IV SIDES TO THE FLOOR

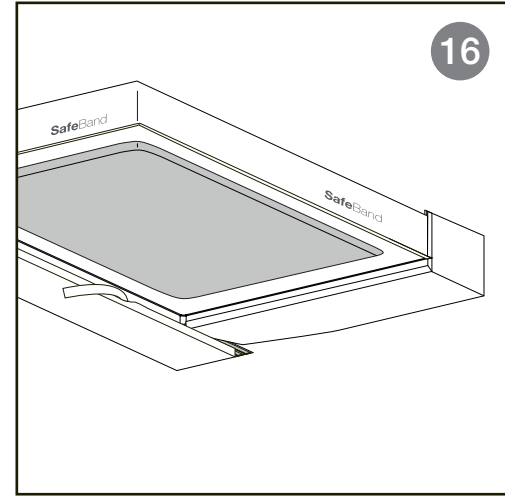
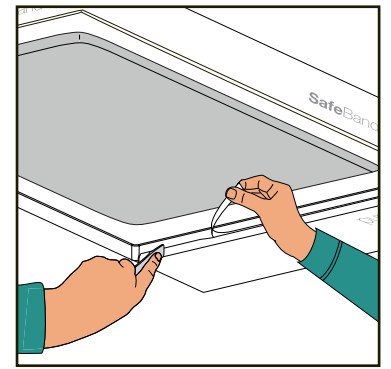
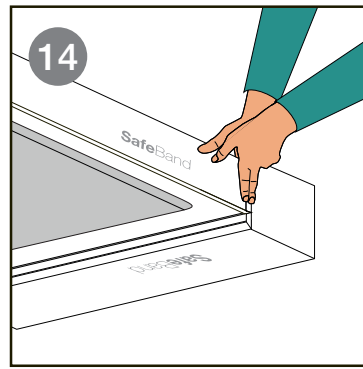
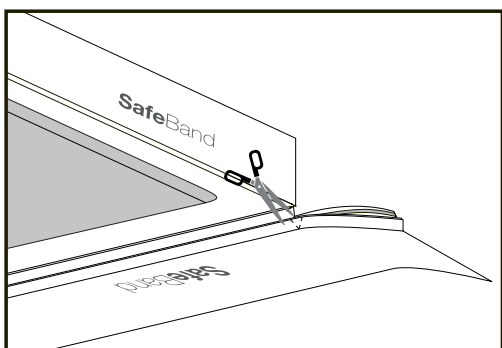
You have to cut a **SafeBand** strip for every side facing to horizontal planes to form the leak-proof barrier. (see image 14).

- To install it on 3 sides, (see image 10)  
A / C / D  
A+20 cm, C+40 cm, D+20 cm
- To install it on 2 sides, (see image 10)  
C / D  
C+40 cm, D+20 cm

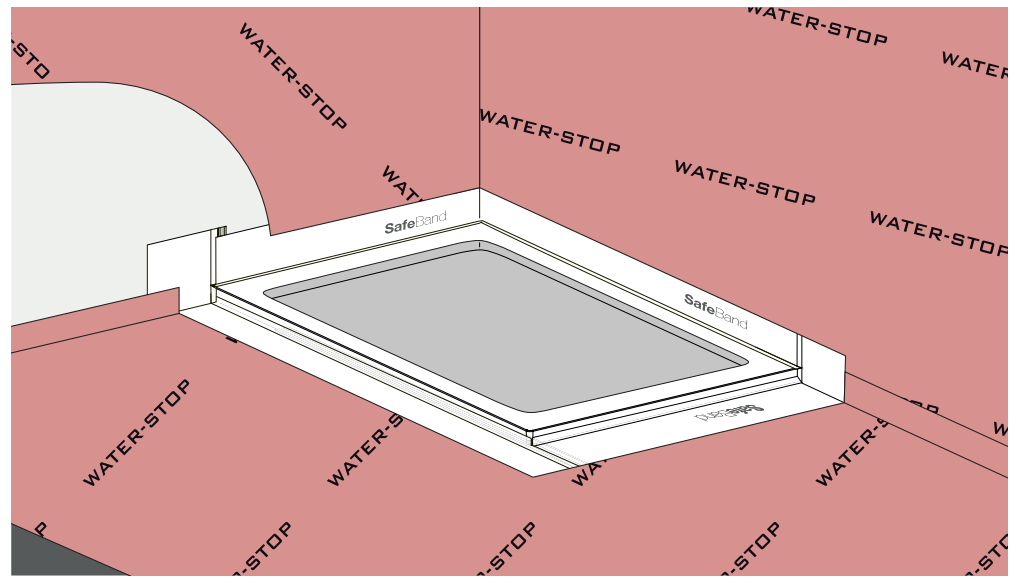


The band in the sides facing to floor shall turn up in the walls and be connected to the band of the other sides. Remove the widest release paper about 20 cm (8") (see image 11) and start sticking from a corner on the underside of the shower tray or bathtub (see image 12). The narrow flange, still with its release paper, should stand on the flank.

Remove some more release paper and carry on sticking keeping the straight line. Before turn up at the corners, make a small cut in the narrow flange to facilitate folding. Carry on sticking on the back of the adjacent side band. Now start to peel the narrow flange and stick it on the flank and on adjacent side band (see image 13).



Now start to peel the narrow flange (see image 15) and stick it on the flank and on adjacent side band (see image 16). Once the entire strip is attached, press hard with the squeegee shovel all the way around. Trim the excess.



Once the shower tray or bathtub is installed in its final position, proceed to stick **SafeBand** to the walls and floor with C2 class tile adhesive. Install waterproofing in floors and walls if planned. **SafeBand** must be overlapped by the walls membrane while overlapping the membrane at floor.

Tile over **SafeBand** with C2 class tile adhesive.

